



## The Audi R8 Coupé and Spyder

Pricing and Specification Guide  
Valid from October 2011



# Personalising your Audi R8

This guide has been designed to help you tailor and price your Audi R8 quickly and logically. At the back, you will find information on CO2 emissions-based taxation and the other services offered by Audi, including Finance and Insurance. You can also configure your Audi R8 online at [audi.co.uk](http://audi.co.uk).

You might also like to consider Audi Complete: a simple way to take care of servicing and maintenance costs for your Audi in a single package. You pay a one-off or monthly fee and we'll cover all your servicing, maintenance and tyres for the next three years including your first MOT and a full 5-year warranty. It means you only have to pay for fuel, insurance and your Road Fund Licence. So you can be reassured that your car will be maintained by trained Audi Technicians, using genuine Audi parts.

## Audi Complete™

### The Audi R8

Engine	12
Transmissions	13
Technology	14

### Model details and prices

R8 V8 model equipment	16
R8 V10 model equipment	18
Model prices	20

<b>Audi exclusive</b>	22
-----------------------	----

### Colour and upholstery

Paint finishes	24
Hood colours	28
R8 Coupé upholstery options	30
R8 Coupé colour and trim guide	31
R8 Spyder upholstery options	32
R8 Spyder colour and trim guide	34
Inlays	40

### Options

Wheels, brakes and suspension	42
Audio and communication	44
Interior equipment	46
Luggage sets	48
Seats	50
Exterior equipment	51
Safety and security	52
Steering wheels	52
Audi Complete and warranty	53
Factory Collection from Neckarsulm	54
R8 Driving Experience	55
Merchandise	56

### Technical details

Technical data	57
Dimensions	58
Additional information	62
Pricing information	64





## Vorsprung durch Technik

Three words that express the very essence of Audi. Vorsprung durch Technik isn't a slogan. It's our way of seeing the world. It is the driving force behind our history of innovation that continues into the 21st century. Indeed, many technologies that Audi pioneered remain in our cars today. Some are milestones in the history of the motorcar.

From our beginnings in 1899, to the Auto Union team's Grand Prix successes in the 1930s and our more recent wins at Le Mans, we have always been at the forefront of the motor industry.

Vorsprung durch Technik makes us who we are. To see more of its influence, just read on.

## The R8 heritage

Audi has always enjoyed an enviable track record in the world of motorsport. An unrivalled combination of passion, determination, expertise and Vorsprung durch Technik has helped propel the four rings of Audi past finishing line after finishing line. With the introduction of the revolutionary quattro® all-wheel-drive technology in the early 1980s came a run of victories that will never be forgotten. And thanks to a continuing dedication to innovation and progression, that success has continued right through to the present day.

In 1999, Audi entered Le Mans for the first time. Since then, it has won the legendary endurance race again and again. It is in recognition of this unprecedented success that the Audi R8 was created – a car that has much more in common with the Le Mans-winning racer than simply a name.











## Design and performance

Every detail of the R8's exterior immediately marks it out as a progressive sports car. From the emphatic, structural shape, wide air intakes and sweeping sideblades, to the retractable rear spoiler. But these design features aren't just for show. Each serves its own purpose, whether enhancing the car's aerodynamic potential or cooling the engine which sits directly behind the cockpit. And that's no easy task. Both the 4.2 V8 and 5.2 V10 powerplants are extremely high-revving, with breathtaking performance thanks to FSI® direct petrol injection and quattro® all-wheel-drive. Enabling you to get the most from them are a number of auxiliary technologies – a lightweight aluminium crankcase, spontaneous R tronic® automated 6-speed gearbox and Audi magnetic ride.

Inside its rigid yet lightweight aluminium Audi Space Frame®, the R8 has more than a hint of racing car inspiration in its layout and appearance, with Fine Nappa leather Sports seats, driver oriented instruments and a leather flat-bottomed steering wheel as standard. The perfect setting to enjoy some impressive technologies, including the optional Audi parking system advanced and the 465-Watt 12-speaker Bang & Olufsen surround sound system – if the arresting symphony of the R8's engine wasn't enough. Read on to discover more about the revolutionary Audi R8, including standard and optional equipment, paint colours and prices.

## The R8 craftsmanship

The Audi R8 is built on a small production line in a specially-constructed block at the Audi factory in Neckarsulm, Germany. The entire production process – from the bodyshell construction to final assembly – is organised in the same way as it would be in a craft workshop. Small teams of specialists oversee every step of production, subjecting every part and component to intense scrutiny. This ensures that every one of the maximum 29 cars built each day will more than match the customary high-quality standards of the Audi product range.

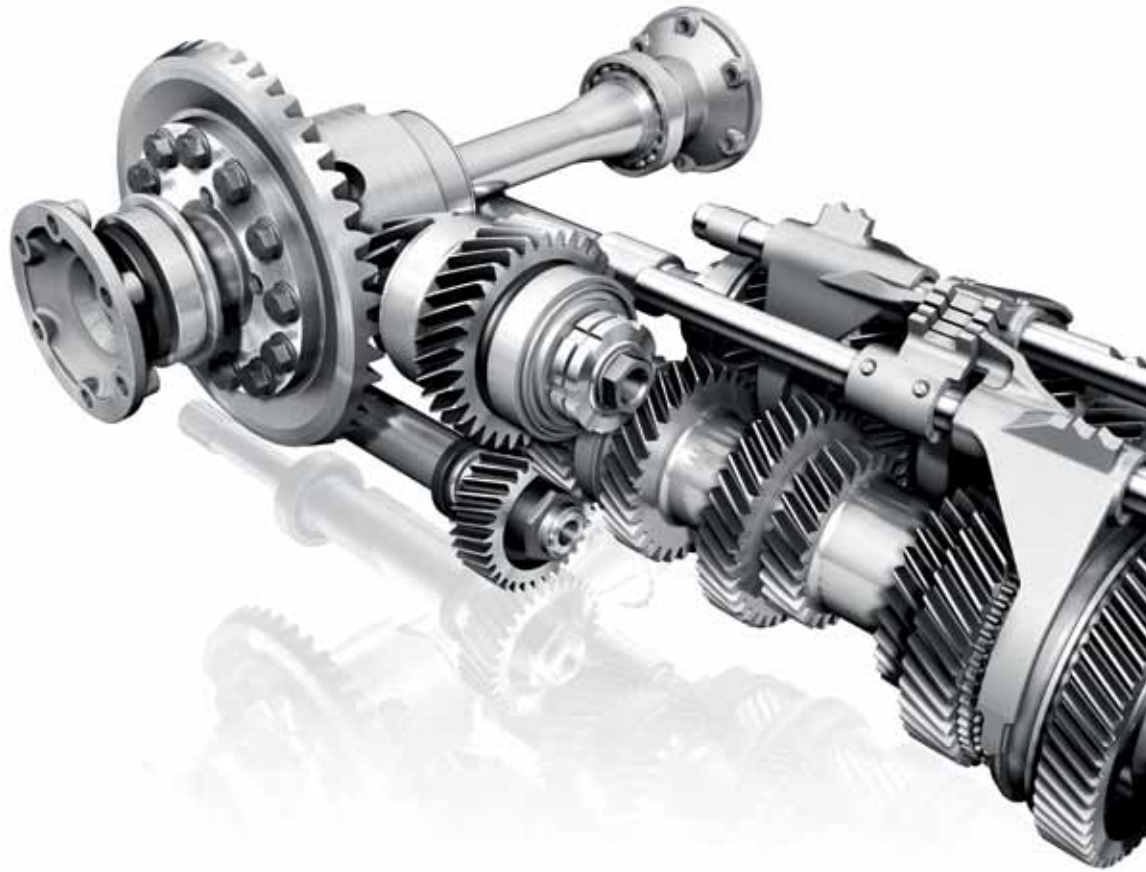




## Engine

FSI® direct-injection technology is a unique Audi innovation that was originally developed for the Le Mans 24-hour endurance race to deliver more power and torque, as well as enhanced fuel efficiency. Precisely the right amount of fuel and air are injected into the combustion chambers, enabling the engine to 'breathe' more easily. It results in reduced heat loss and increased output, with around a 15% reduction in fuel consumption and significantly lower exhaust emissions.





## Transmissions

### Manual

By specifying a 6-speed manual transmission for your Audi R8, you can put yourself in complete control of your driving experience. The system is matched precisely to the Audi R8's engine configuration and driving dynamics, allowing you to take full advantage of the broad spread of engine torque available across its six closely-spaced gear ratios. With its compact design and low weight, the manual system is a simple, direct way to tap into the power of the Audi R8. The gated system provides short gearshift travel and precise lever movement, giving you the highest possible level of accessibility with the minimum of fuss.

### R tronic®

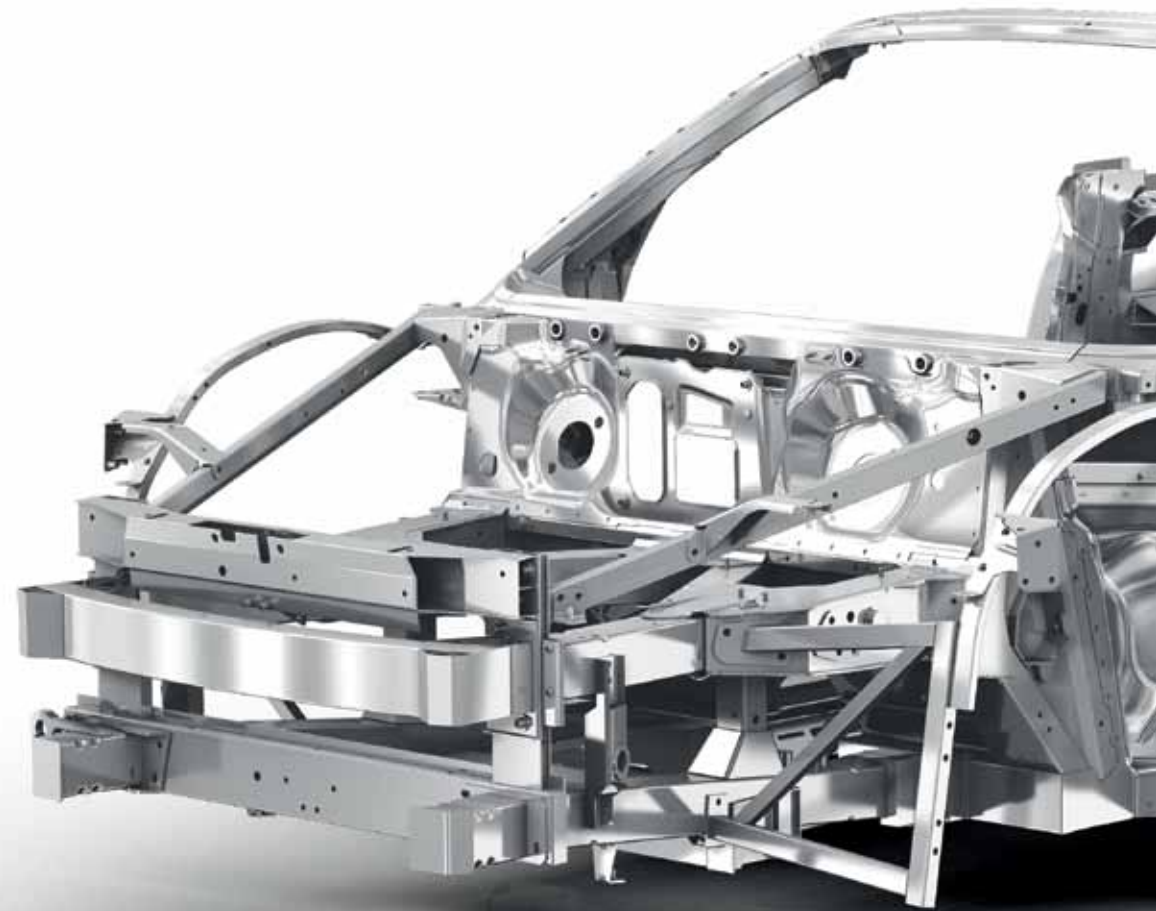
R tronic® is a unique technology developed by Audi, which provides swift and seamless gear-changing for an incredibly sporty drive. Thanks to its groundbreaking electro-hydraulic shifting unit, R tronic® transmits all the force of the Audi R8's engine power to the road with unrivalled smoothness and control. You can drive along with it on automatic mode, or you can select your gears manually with either the gearstick or gearshift paddles. You can also switch to S mode where the ride becomes all the more thrilling: the system delays automatic gearshifts for optimum acceleration, while the pioneering Launch Control provides the kind of lightning-fast performance that allows the Audi R8 to spring from a standing start to 62mph in just 3.9 seconds.\*

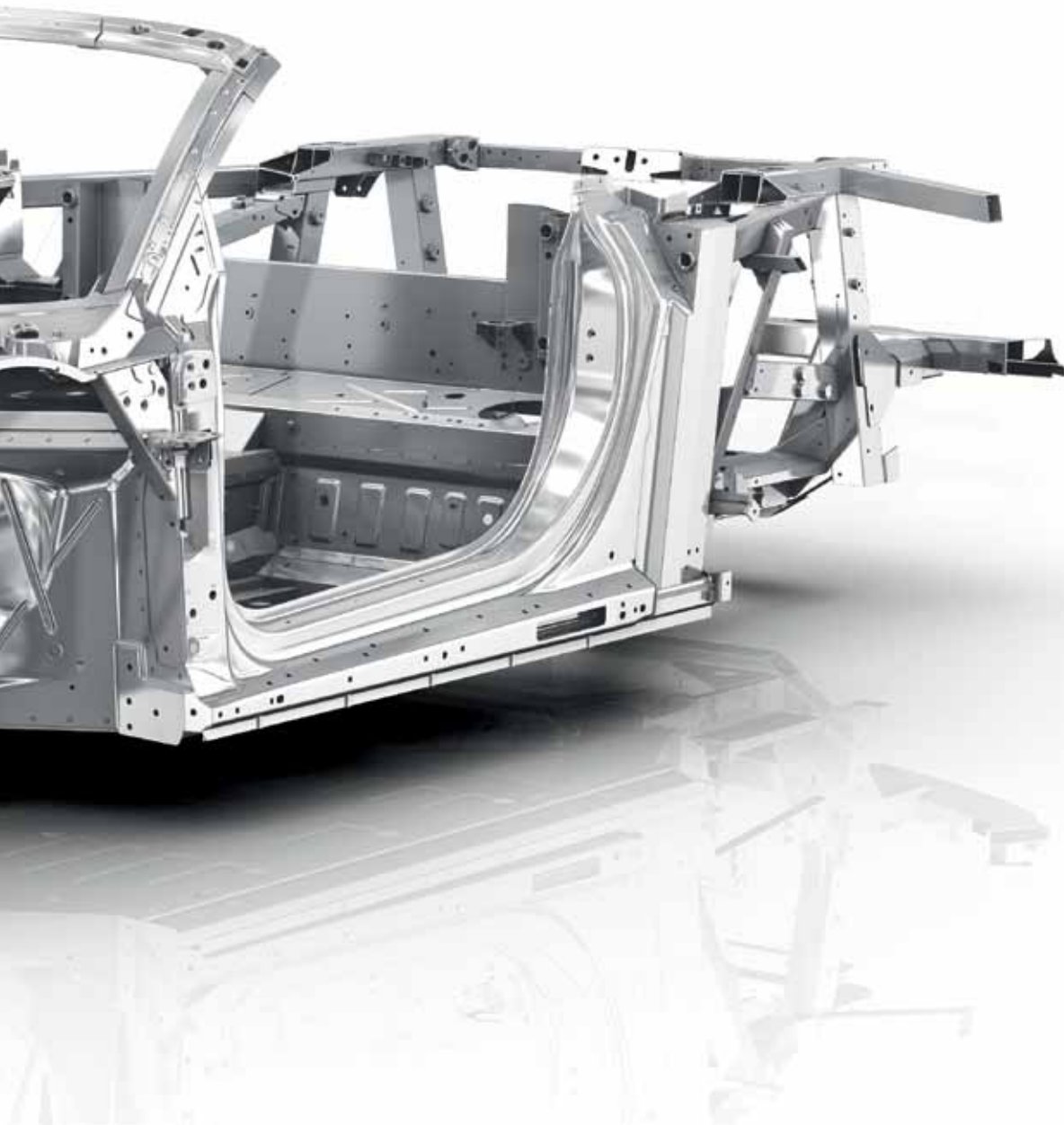
# Technology

## **quattro®**

It's the technology that has given Audi the edge on the rally circuit ever since it was first introduced over 30 years ago – a technology that delivers ultimate control whilst enhancing the sporty characteristics which make the Audi R8 so thrilling to drive. It's called quattro® all-wheel-drive. The principle is simple: in the same way that four brakes ensure better deceleration, four permanently-driven wheels deliver better acceleration and road-holding, pushing or pulling the car as needed, for a driving experience that's both dynamic and safe.

In the Audi R8 asymmetric dynamic torque distribution continuously distributes drive power between the front and rear axles depending on weather conditions, road surface and gradient, which increases flexibility for an enhanced, sportier drive.





### **Audi Space Frame®**

The Audi R8 is built using a unique Audi Space Frame® which was introduced in 1994 and is both lightweight and extremely strong. It ensures that performance doesn't come at the expense of safety, as the car's body remains tough and beautifully balanced.

### **Fabric hood**

The innovative Z-folding fabric hood of the Audi R8 Spyder is made from an advanced material which is lightweight and flexible. It automatically opens and closes in 19 seconds, with just one touch. Better still, it can operate at speeds of up to 31mph, so you won't have to stop your journey. When lowering, it folds neatly beneath the cover of its compact storage compartment which is just above the powerful engine.

### **Mid-mounted engine**

The Audi R8's engine is mid-mounted, which gives it a low centre of gravity and helps it to achieve the ideal weight balance. The axle load distribution of 44:56\* ensures high directional stability and superb road behaviour.

\*R8 Coupé models only

# Standard model equipment

All Audi R8 V8 models have the following items of standard equipment

## Wheels, tyres and suspension

19" '5-arm double-spoke' design alloy wheels, 19 x 8.5J front and 19 x 11J rear with 235/35 and 295/30 tyres

Locking wheel bolts

quattro all-wheel-drive

Tyre Mobility System

## Audio and communication

Concert radio with single front-loading CD player and MP3 file compatibility with active front and rear speakers. Includes AUX-IN socket in centre console

Mobile telephone preparation – Bluetooth interface and voice control with integrated seat belt microphones (Spyder only)

## Seats

Electric lumbar support

Sports seats

Electrically adjustable and heated seats (Spyder only)

## Safety and security

Anti-lock Braking System (ABS)

Anti-Slip Regulation (ASR)

Anti-theft alarm and electronic immobiliser

Brake lights with LED technology

Disc brakes, internally vented, 8-piston brake callipers at front and 4-piston at rear

Driver, front passenger and front side airbags

Electronic Differential Lock (EDL) traction control

ESP Version 8 – latest generation Electronic Stability Programme networks the ABS, EBD (Electronic Brake Force Distribution), ASR and EDL systems and ensures greater stability at all speeds by braking individual wheels as required and overriding the engine-management system. Driver can select different ESP settings to suit different driving conditions

First aid kit with warning triangle

ISOFIX, with front-passenger airbag-deactivation switch

Remote central locking

Seat-belt reminder

Tool kit including car jack

## Paint

Metallic or pearl-effect paint (Spyder only)



Aluminium gear knob and lever gate



19" '5-arm double-spoke' design alloy wheels



Retractable rear spoiler



3-spoke flat-bottomed, leather-covered multi-function steering wheel



**Exterior equipment**

**4-branch exhaust system** – twin tailpipes on left and right

**Door mirrors** – electrically operated and heated

**Electrically retractable, heated glass rear window** (Spyder only)

**Exterior lighting**, including exit lights

**Retractable rear spoiler** – deploys and retracts automatically at set speeds, or can be operated manually with the button in centre console

**Xenon Plus headlights**, including headlight washers and LED daytime-running lights

**Fully automatic, acoustic hood** with one-touch operation (Spyder only)

**Interior equipment**

**3-spoke flat-bottomed, leather-covered multi-function steering wheel** (gearshift paddles standard with R tronic transmission)

**Aluminium gear knob and lever gate**

**Cup holder** – two compartments integrated into centre console

**Driver's Information System (DIS)**

**Electronic climate control**

**Fine Nappa leather upholstery**, door trim and door handles on passenger side

**Heated engine partition window**

**Inlays in micrometallic grey** – upper trim on centre console, centre inlay and door inlay

**Interior and instrument lighting**

**Lockable glove box**, with light

**Roof lining** – black or pale grey

**Scuff plates in aluminium** with R8 logo

**Sun visors with vanity mirror**

**Valet key**

**Wind deflector** (Spyder only)

**Audi R8 Driving Experience**

Please see page 55 for further details



## Standard model equipment

All Audi R8 V10 models have the following items of equipment in addition to or in replacement of Audi R8 equipment

### Wheels, tyres and suspension

19" '10-spoke Y' design alloy wheels, 19 x 8.5J front and 19 x 11J rear with 235/35 and 295/30 tyres

### Audio and communication

Bang & Olufsen sound system – 12 speakers, total output 465 Watts

CD changer for six discs (Audi Music Interface can be ordered in lieu of CD changer)

Satellite Navigation system – DVD-based

### Safety and security

Tyre pressure monitoring system

### Paint

Metallic or pearl-effect paint

### Exterior equipment

All-LED headlights (see page 51 for details)

Audi magnetic ride (see page 42 for details)

Auto-dimming and folding door mirrors

Audi hill-hold assist

Light and rain sensor pack, including auto-dimming rear-view mirror, automatic headlights and automatic windscreen wipers

Oval exhaust tailpipes

V10 badges on front wings (and engine bay on Coupé)

### Interior equipment

Electrically adjustable seats

Extended Fine Nappa leather package (Spyder only)

Heated front seats

Light package including LED lights illuminating footwell (and engine compartment on Coupé)

Stainless steel pedals



19" '10-spoke Y' design alloy wheels



All-LED headlights



Satellite Navigation system – DVD-based



Oval exhaust tailpipes



## R8 Coupé

Engines	Power	Transmissions	CO <sub>2</sub> g/km	Basic RRP	Total RRP inc VAT	Recommended OTR
4.2 FSI quattro	430PS	6-speed manual	332	£71,908.33	£86,290.00	£87,935.00
4.2 FSI quattro	430PS	R tronic	310	£76,333.33	£91,600.00	£93,245.00
5.2 FSI quattro	525PS	6-speed manual	346	£89,537.50	£107,445.00	£109,090.00
5.2 FSI quattro	525PS	R tronic	326	£93,962.50	£112,755.00	£114,400.00

## R8 Spyder

Engines	Power	Transmissions	CO <sub>2</sub> g/km	Basic RRP	Total RRP inc VAT	Recommended OTR
4.2 FSI quattro	430PS	6-speed manual	337	£79,125.00	£94,950.00	£96,595.00
4.2 FSI quattro	430PS	R tronic	315	£83,550.00	£100,260.00	£101,905.00
5.2 FSI quattro	525PS	6-speed manual	349	£96,720.83	£116,065.00	£117,710.00
5.2 FSI quattro	525PS	R tronic	332	£101,145.83	£121,375.00	£123,020.00

**Please note:** The maximum power output figures are quoted in PS (or Pferdestärke, which is the metric equivalent of brake horsepower). To convert to brake horsepower, divide the PS figure by 1.0139.

**Recommended On-The-Road (OTR) retail prices include:** delivery charge, half a tank of fuel, number plates at £590.00 (inc. VAT), Road Fund Licence (which may vary depending on model/transmission – see page 62 for details) and first registration fee at £55.00. Vehicle Excise Duty correct at time of going to print, but this may alter to reflect any change in the applicable VED rate.

RRP – Recommended Retail. VAT is calculated at 20% but this may alter to reflect any change in the applicable VAT rate.





## Audi exclusive



Every Audi is intrinsically exclusive. It's the breathtaking design, the exceptional engineering, the Vorsprung durch Technik. But for that special touch you can specify your new R8 with options from Audi exclusive. Whether you want a unique, custom-mixed paint colour or seats in a combination of complementary shades, Audi exclusive will enable you to drive the car you've always imagined.

Both the exclusive and standard options can be found on the following pages.



# Paint

## R8 Coupé

To create your ideal R8, just choose one of the colours opposite. To individualise your R8 Coupé sideblades, please refer to page 27.

Options are subject to availability and may extend delivery.

All the colour swatches on this page are matched as accurately as possible to the actual paint colours used. However, due to print processes, Audi UK cannot guarantee that colours shown are 100% accurate.

Visit your local Audi Centre for a more accurate colour swatch.

\*Only available on 5.2 FSI quattro models.

RRP – Recommended Retail Price.

VAT is calculated at 20% but this may alter to reflect any change in the applicable VAT rate.

### Standard colours

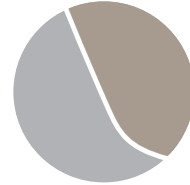


Ibis white  
Ice silver sideblade – T9

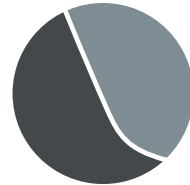


Brilliant red  
Brilliant red sideblade – C8

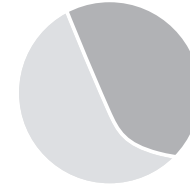
### Optional colours



Ice silver, metallic  
Apollo silver sideblade – P5



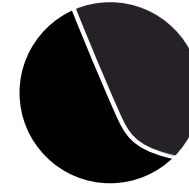
Daytona grey, pearl effect  
Quartz grey sideblade – 6Y



Suzuka grey, metallic  
Ice silver sideblade – M1



Sepang blue, pearl effect\*  
Mugello blue sideblade – E9



Phantom black, pearl effect  
Lava grey sideblade – L8



Lava grey, pearl effect  
Quartz grey sideblade – 1R

### Optional colours

#### Basic RRP

R8 – £595.83

R8 V10 – No charge

#### Total RRP inc VAT

R8 – £715.00

R8 V10 – No charge



# Paint

## R8 Spyder

Make sure your R8 Spyder looks exactly the way you want it by selecting one of the colours opposite.

Options are subject to availability and may extend delivery.

All the colour swatches on this page are matched as accurately as possible to the actual paint colours used. However, due to print processes, Audi UK cannot guarantee that colours shown are 100% accurate.

Visit your local Audi Centre for a more accurate colour swatch.

\*Only available on S.2 FSI quattro models

\*Not available in combination with a Red hood.

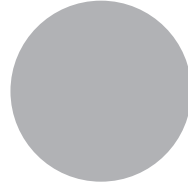
RRP - Recommended Retail Price.

VAT is calculated at 20% but this may alter to reflect any change in the applicable VAT rate.

### Standard colours



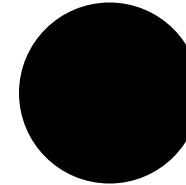
Ibis white - T9



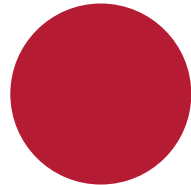
Ice silver, metallic - P5



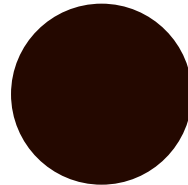
Suzuka grey, metallic - M1



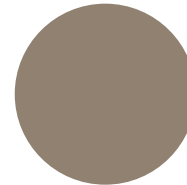
Phantom black, pearl effect - L8



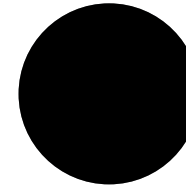
Brilliant red - C8



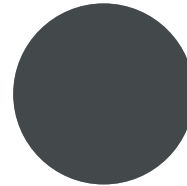
Teak brown, metallic+ - 4U



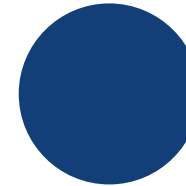
Aurum beige, metallic+ - C6



Lava grey, pearl effect - 1R



Daytona grey, pearl effect - 6Y



Sepang blue, pearl effect\*\* - E9

### Standard colours

#### Basic RRP

No charge

#### Total RRP inc VAT

No charge

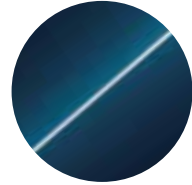
# Paint

## Audi exclusive

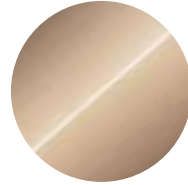
Everyone has a favourite colour. No matter what yours is, Audi exclusive provides a range of unique colours that have been designed to set your car apart. Choose from the swatches here, or specify any other paint colour in the Audi range.

## Customised

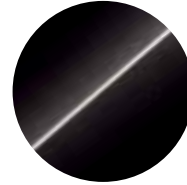
If you have a particular colour in mind, we'll mix the exact metallic or pearl-effect shade you want.\*



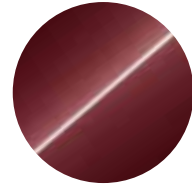
Palace blue, pearl effect



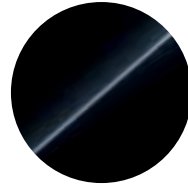
Sand beige, pearl effect



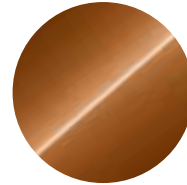
Saddle brown, pearl effect



Classic red, pearl effect



Mamba black, metallic



Ipanema brown, metallic



Any colour in the Audi range



100 Audi exclusive colours to choose from\*\*

Options are subject to availability and may extend delivery.

\*Custom paint is subject to factory approval, and is available for metallic and pearl-effect water-based paints only. Three-colour process colours and two-tone schemes are not available.

\*\*Visit your local Audi Centre for colour samples

All the colour swatches on this page are matched as accurately as possible to the actual paint colours used. However, due to print processes, Audi UK cannot guarantee that colours shown are 100% accurate.

RRP – Recommended Retail Price.

VAT is calculated at 20% but this may alter to reflect any change in the applicable VAT rate.



Customised paint

### R8 Coupé V8

**Basic RRP**

V8 – £2,041.67

**Total RRP inc VAT**

V8 – £2,450.00

### R8 Coupé V10 and R8 Spyder

**Basic RRP**

V10 – £1,445.83

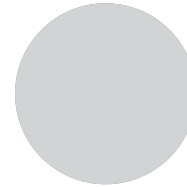
**Total RRP inc VAT**

V10 – £1,735.00

# Sideblades

The sideblades of the R8 Coupé are among its most distinctive design features. As an alternative to standard paint colours, you can customise your R8 Coupé even further by choosing from one of the options on the right.

Order Code		V8 Coupé	V10 Coupé	V8 Spyder	V10 Spyder	Basic RRP	Total RRP inc VAT
<b>6H2</b>	<b>Oxygen silver</b>	●	●	-	-	£679.17	£815.00
<b>6H3</b>	<b>Carbon sigma</b>	●	●	-	-	£1,275.00	£1,530.00



Oxygen silver sideblade - 5Y



Carbon sigma sideblade - 1Y

Order Code		V8 Coupé	V10 Coupé	V8 Spyder	V10 Spyder	Basic RRP	Total RRP inc VAT
<b>YUY S3G</b>	<b>Sideblade in Audi exclusive paint or customised paint*</b> (not in conjunction with sideblade in Carbon sigma or Oxygen silver)	●	●	-	-	£725.00	£870.00

Options are subject to availability and may extend delivery.

- = Not available
- = Available
- S = Standard

\*The R8 Coupé sideblades are available in the Audi exclusive colours shown opposite.

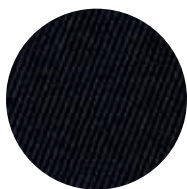
RRP - Recommended Retail Price.

VAT is calculated at 20% but this may alter to reflect any change in the applicable VAT rate.



## Hood colours

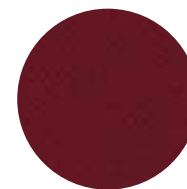
The fully automatic acoustic hood is available in the colours opposite, so you can complement your car's interior and exterior.



Black hood – PA



Brown hood – PW



Red hood\* – SF



\*This option is subject to availability and may extend delivery. Please ask your local Audi Centre for further details.



# Upholstery

## R8 Coupé

You can specify the R8's interior in the range of colours shown opposite.







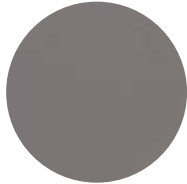





Options are subject to availability and may extend delivery.

- = Not available
- = Available
- S = Standard

Leather upholstery to seats, door trims and door handle on passenger side (all one colour).

RRP – Recommended Retail Price.

VAT is calculated at 20% but this may alter to reflect any change in the applicable VAT rate.

			V8 Coupé	V10 Coupé	Basic RRP	Total RRP inc VAT				
Fine Nappa leather										
	Black – JN/JW	Pale grey – TN/TH	Luxor beige – TQ/TB	Mustang brown – JZ	Red – BF					
							S	S	No charge	No charge
	Leather/Alcantara (N7U)			Leather/Alcantara upholstery, includes central seat section in Alcantara and seat-side sections and head restraints in leather						
		Black – JN/JW	Pale grey – TN/TH				•	•	No charge	No charge
Extended Fine Nappa leather package (PL3)		Extended Fine Nappa leather package – Black. Full Fine Nappa leather upholstery to dashboard, top shoulder and side panel, storage compartment in door, monoposto, cowl, knee bolster and function pads (please see page 41 for further details)								
	Black – PL3					•	•	£2,129.17	£2,555.00	
Coloured stitching (OUB)					Coloured stitching for Fine Nappa leather upholstery located on the monoposto, cowl, passenger door handle and rear shelf cover. Please see opposite for colour and trim guide. Only available in conjunction with extended leather package					
	Black with Pale grey stitching – EL/EM/TN/TH	Black with Luxor beige stitching – EQ/TQ/TB	Black with Mustang brown stitching – EN/JZ	Black with Red stitching – ER/BF			•	•	£229.17	£275.00

# Colour and trim guide

## R8 Coupé

### Interior trim colours

To help choose the right interior for your new R8 Coupé, please use this guide showing the carpet, dashboard and headlining colours that have been matched to your chosen upholstery.

### Optional coloured stitching (OUB)

Options are subject to availability and may extend delivery.

- = Not available
- = Available
- S = Standard

\*Only available with Alcantara headlining.

Order Code	Upholstery	Carpet	Dashboard/seams	Headlining	Leather/Alcantara (N7U)	Fine Nappa leather (PL1)
TN	Pale grey	Pale grey	Black/Black	Pale grey	•	•
TH	Pale grey	Pale grey	Black/Black	Black	•	•
TQ*	Luxor beige	Luxor beige	Black/Black	Luxor beige	—	•
TB	Luxor beige	Luxor beige	Black/Black	Black	—	•
JZ	Mustang brown	Black	Black/Black	Black	—	•
JN	Black	Black	Black/Black	Black	•	•
JW	Black	Black	Black/Black	Pale grey	•	•
BF	Red	Black	Black/Black	Black	—	•

Order Code	Upholstery	Carpet	Dashboard/seams	Headlining	Extended leather (PL3)
EL	Black	Black	Black/Pale grey	Black	•
EM	Black	Black	Black/Pale grey	Pale grey	•
EQ	Black	Black	Black/Luxor beige	Black	•
EN	Black	Black	Black/Mustang brown	Black	•
ER	Black	Black	Black/Red	Black	•
TN	Pale grey	Pale grey	Black/Pale grey	Pale grey	•
TH	Pale grey	Pale grey	Black/Pale grey	Black	•
TQ*	Luxor beige	Luxor beige	Black/Luxor beige	Luxor beige	•
TB	Luxor beige	Luxor beige	Black/Luxor beige	Black	•
JZ	Mustang brown	Black	Black/Mustang brown	Black	•
BF	Red	Black	Black/Red	Black	•

# Upholstery

## R8 Spyder

The leather seats in the Spyder are specially-designed to stay cool, even when it gets hot outside. A special colour pigmentation prevents the leather from overheating, so you can get the most from open-top driving in the middle of summer.





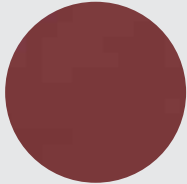


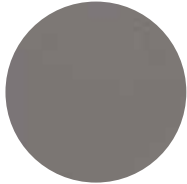

Options are subject to availability and may extend delivery.

- = Not available  
• = Available  
S = Standard

Leather upholstery to seats, door trims and door handle on passenger side (all one colour).

RRP – Recommended Retail Price.

VAT is calculated at 20% but this may alter to reflect any change in the applicable VAT rate.

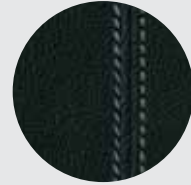
			V8 Coupé	V10 Coupé	Basic RRP	Total RRP inc VAT
Fine Nappa leather		Black - JN	S	S	No charge	No charge
		Titanium grey - FG				
		Luxor beige - TB				
		Nougat brown - CZ				
		Red - FL				
		Lunar silver - GY				
Leather/Alcantara (N7U)		Black - JN	•	•	No charge	No charge
		Titanium grey - FG				
Extended Fine Nappa leather package (PL3)		Black - PL3	•	S	£2,129.17	£2,555.00
		<b>Extended Fine Nappa leather package – Black.</b> Full Fine Nappa leather upholstery to dashboard, top shoulder and side panel, storage compartment in door, monoposto, cowl, knee bolster and function pads (please see page 41 for further details)				



# Upholstery

## R8 Spyder (continued)

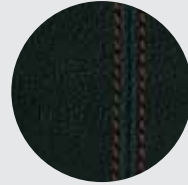
Coloured stitching (OUB)



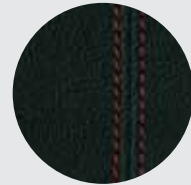
Black with Titanium grey stitching - FJ/FG



Black with Luxor beige stitching - EQ/TB



Black with Nougat brown stitching - FN/CZ



Black with Red stitching - ER/FL



Black with Lunar silver stitching - EA/GY

**Coloured stitching for Fine Nappa leather upholstery** located on the monoposto, cowl, passenger door handle and rear shelf cover. Please see overleaf for colour and trim guide

V8 Spyder	V10 Spyder	Basic RRP	Total RRP inc VAT
•	•	£229.17	£275.00

Options are subject to availability and may extend delivery.

- = Not available
- = Available
- S = Standard

Leather upholstery to seats, door trims and door handle on passenger side (all one colour).

RRP - Recommended Retail Price.

VAT is calculated at 20% but this may alter to reflect any change in the applicable VAT rate.



# Colour and trim guide

## R8 Spyder

### Interior trim colours

To help choose the right interior for your new R8 Spyder, please use this guide, showing the carpet, dashboard and headlining colours that have been matched to your chosen upholstery.

Order Code	Upholstery	Carpet	Dashboard/seams	Headlining	Leather/Alcantara (N7U)	Fine Nappa leather (PL1)
JN	Black	Black	Black/Black	Black	●	●
FG	Titanium grey	Titanium grey	Black/Black	Black	●	●
TB	Luxor beige	Luxor beige	Black/Black	Black	—	●
GY	Lunar silver	Black	Black/Black	Black	—	●
FL	Red	Black	Black/Black	Black	—	●
CZ	Nougat brown	Black	Black/Black	Black	●	●

### Optional coloured stitching (OUB)

Order Code	Upholstery	Carpet	Dashboard/seams	Headlining	Extended leather (PL3)
FJ	Black	Black	Black/Titanium grey	Black	●
FN	Black	Black	Black/Nougat brown	Black	●
EQ	Black	Black	Black/Luxor beige	Black	●
ER	Black	Black	Black/Red	Black	●
EA	Black	Black	Black/Lunar silver	Black	●
FG	Titanium grey	Titanium grey	Black/Titanium grey	Black	●
TB	Luxor beige	Luxor beige	Black/Luxor beige	Black	●
GY	Lunar silver	Black	Black/Lunar silver	Black	●
FL	Red	Black	Black/Red	Black	●
CZ	Nougat brown	Black	Black/Nougat brown	Black	●

Options are subject to availability and may extend delivery.

— = Not available  
● = Available  
S = Standard

Leather upholstery to seats, door trims and door handle on passenger side.



# Upholstery

## Audi exclusive

With Audi exclusive, you can choose between Fine Nappa leather and leather/Alcantara, depending on the texture and flexibility you prefer in your car's upholstery. And once that's decided, you can specify your seats in an array of different colours shown here.

Choose just one all-over shade for each seat, or customise each panel in two or more complementary colours from the distinctive Audi exclusive palette. You can even choose the colour of the decorative stitching – to match or contrast with your chosen upholstery – from this varied collection. Whatever combination you decide upon, we think you'll be extremely comfortable with the result.



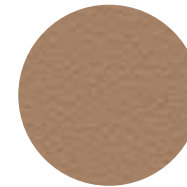
Chestnut brown



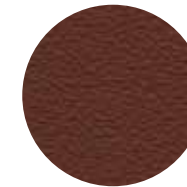
Jet grey



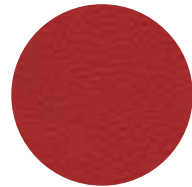
Alabaster white



Sand beige



Saddle brown



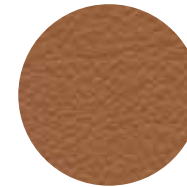
Crimson red



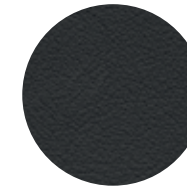
Magnolia white



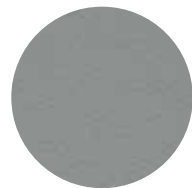
Havanna brown



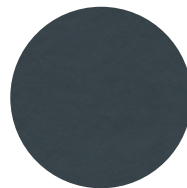
Cognac brown



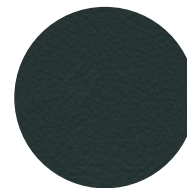
Night blue



Cloudy grey



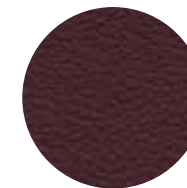
Smoky blue



Iceland green



Powder beige



Classic red

### Also available:

**Alcantara colours:** available in all the Audi exclusive colours shown, except for Crimson red, Jet grey and Sand beige. Alcantara equivalents are Chilli red, Amethyst grey, and Sesame beige respectively.

**Dashboard:** available in all the Audi exclusive colours shown, except for Alabaster white, Magnolia white, and Sand beige.

Please consult your Audi Centre for examples of Alcantara and carpet colours.

# Upholstery

## Audi exclusive

Order Code		V8 Coupé	V10 Coupé	V8 Spyder	V10 Spyder	Basic RRP	Total RRP inc VAT
<b>PYA S3G</b>	<b>Audi exclusive leather package 1 in Fine Nappa leather.</b> Includes leather-covered seat upholstery and door trim inserts. Backrest covers and seat add-on parts come in the interior trim colour*	●	●	●	–	£2,000.00	£2,400.00
<b>PYC S3G</b>	<b>Audi exclusive leather package 1 in Fine Nappa leather/Alcantara.</b> Includes leather-covered seat-side trims, head restraints, door trim inserts and Alcantara seat-centre sections. Backrest covers and seat add-on parts come in the interior trim colour*	●	●	–	–	£1,787.50	£2,145.00
<b>PYF S3G</b>	<b>Audi exclusive leather package 2 in Alcantara/leather.</b> Seat-centre section in Alcantara. Seat-side sections, head restraints and door-trim inserts in Fine Nappa leather. Includes a choice of coloured stitching if desired	–	–	●	–	£4,170.83	£5,005.00
<b>PYD S3G</b>	<b>Audi exclusive leather package 2 in Fine Nappa leather.</b> Includes all the contents of leather package 1 (PYA/S3G) plus: leather-covered backrest covers, door armrests, handles and dashboard, and colour-coordinated seat-side trims and add-on parts*	–	–	–	●	£2,041.67	£2,450.00
<b>PYN S3G</b>	<b>Audi exclusive R8 leather package in Fine Nappa leather.</b> Includes leather-covered seat-side sections in black plus seat-centre sections in a choice of Silver, Orange or Crimson red with matching stitching on seats, instrument cowl and steering wheel	●	●	●	–	£1,079.17	£1,295.00
<b>YQN S3G</b>	<b>Audi exclusive seat-side trims in Fine Nappa leather for Sports seat.</b> Only available in combination with the Audi exclusive leather package 2*	●	●	●	●	£320.83	£385.00

Options are subject to availability and may extend delivery.

– = Not available  
● = Available  
S = Standard

\*Leather and stitching (where applicable) can be specified in a variety of colours from the Audi exclusive range.

Please consult your Audi Centre for further information.

RRP – Recommended Retail Price.

VAT is calculated at 20% but this may alter to reflect any change in the applicable VAT rate.

# Upholstery

## Audi exclusive cabin options

\*The leather, headlining, stitching and piping (where applicable) can be selected from any of the Audi exclusive colours shown on page 36. The carpet colour can also be selected from any of the exclusive colours shown on page 36.

## Audi exclusive control elements

## Audi exclusive carpets and floor mats

Options are subject to availability and may extend delivery.

– = Not available  
• = Available  
S = Standard

RRP – Recommended Retail Price.

VAT is calculated at 20% but this may alter to reflect any change in the applicable VAT rate.

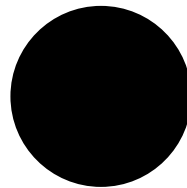
Order Code		V8 Coupé	V10 Coupé	V8 Spyder	V10 Spyder	Basic RRP	Total RRP inc VAT
YQO S3G	<b>Audi exclusive centre console, ashtray cover and radio surround in Fine Nappa leather*</b> (only in combination with PYD/S3G)	•	•	•	•	£1,108.33	£1,330.00
YQW S3G	<b>Audi exclusive monoposto design package in leather.*</b> Includes leather-covered monoposto, knee bolster, instrument cowl and door handle trim on driver's side	•	•	•	–	£1,020.83	£1,225.00
YQP S3G	<b>Audi exclusive leather inlays in Fine Nappa leather.</b> Includes leather-covered door inlays, centre console and door handles (only in combination with PYD/S3G)	•	•	•	•	£508.33	£610.00
YQL S3G	<b>Audi exclusive air vents in Fine Nappa leather.</b> Includes leather-covered air vent louvres, adjustment handles, switch panel trims and side air vent frames. Options PYD or PL3 are recommended with this option	•	•	•	•	£566.67	£680.00
YSK S3G	<b>Audi exclusive headlining in Alcantara*</b> (only available on coupé models)	•	•	•	–	£1,437.50	£1,725.00
YSL S3G	<b>Audi exclusive headlining and rear shelf trim in Alcantara*</b>	•	•	–	–	£2,475.00	£2,970.00
YST S3G	<b>Audi exclusive headlining and rear shelf trim in Fine Nappa leather*</b>	•	•	–	–	£2,608.33	£3,130.00
YSU S3G	<b>Audi exclusive Fine Nappa leather-covered sill trims, carpet cover strip and lower part of A-pillar*</b> (only in combination with PYD/S3G)	•	•	•	•	£379.17	£455.00
YRB S3G	<b>Audi exclusive controls package.</b> Includes leather-covered steering wheel, handbrake grip and gearshift gaiter*	•	•	•	•	£545.83	£655.00
YUC S3G	<b>Audi exclusive controls package in black suede.</b> Includes steering wheel rim, handbrake grip and gearshift knob in black suede. Please note that suede on the steering wheel can show signs of wear after a period of time. Stitching colour can be specified in a variety of colours from the Audi exclusive range (only in combination with 6Q2)	•	•	•	•	£545.83	£655.00
YSR S3G	<b>Audi exclusive floor mats with leather piping.*</b> Includes 4 floor mats for front and rear (cannot be combined with option YSQ/S3G – Audi exclusive carpets)	•	•	•	•	£254.17	£305.00
YTZ S3G	<b>Audi exclusive black floor mats with R8 logo</b>	•	•	•	•	£379.17	£455.00
YSQ S3G	<b>Audi exclusive carpets and rear shelf.*</b> Includes 4 Audi exclusive floor mats with piping	•	•	•	•	£1,108.33	£1,330.00
YQM S3G	<b>Audi exclusive luggage compartment lining in Alcantara*</b>	•	•	•	•	£1,370.83	£1,645.00



# Inlays

Inlays are the all-important finishing touch that add flair and interest to your car's interior, available in a variety of textures and finishes.

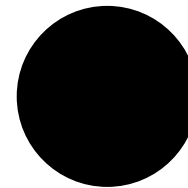
Order Code		V8 Coupé	V10 Coupé	V8 Spyder	V10 Spyder	Basic RRP	Total RRP inc VAT
-	<b>Matt silk finish, black</b> – excluding monoposto	S	S	S	S	No charge	No charge
5MN	<b>Carbon sigma</b>	•	•	•	•	£1,404.17	£1,685.00
5TL	<b>Piano finish, black</b>	•	•	•	•	£1,320.83	£1,585.00
YTF S3G	<b>Audi exclusive inlays in body colour.</b> Inlays in centre console, door trim and door handles	•	•	•	•	£2,041.67	£2,450.00



Matt silk finish, black



Carbon sigma – 5MN



Piano finish, black – 5TL



Audi exclusive inlays in body colour  
– YTF/S3G

Options are subject to availability and may extend delivery.

- = Not available  
• = Available  
S = Standard

Please see page 41 for inlay locations.

RRP – Recommended Retail Price.

VAT is calculated at 20% but this may alter to reflect any change in the applicable VAT rate.



# Leather trim and inlay packages

## Fine Nappa leather upholstery (standard)

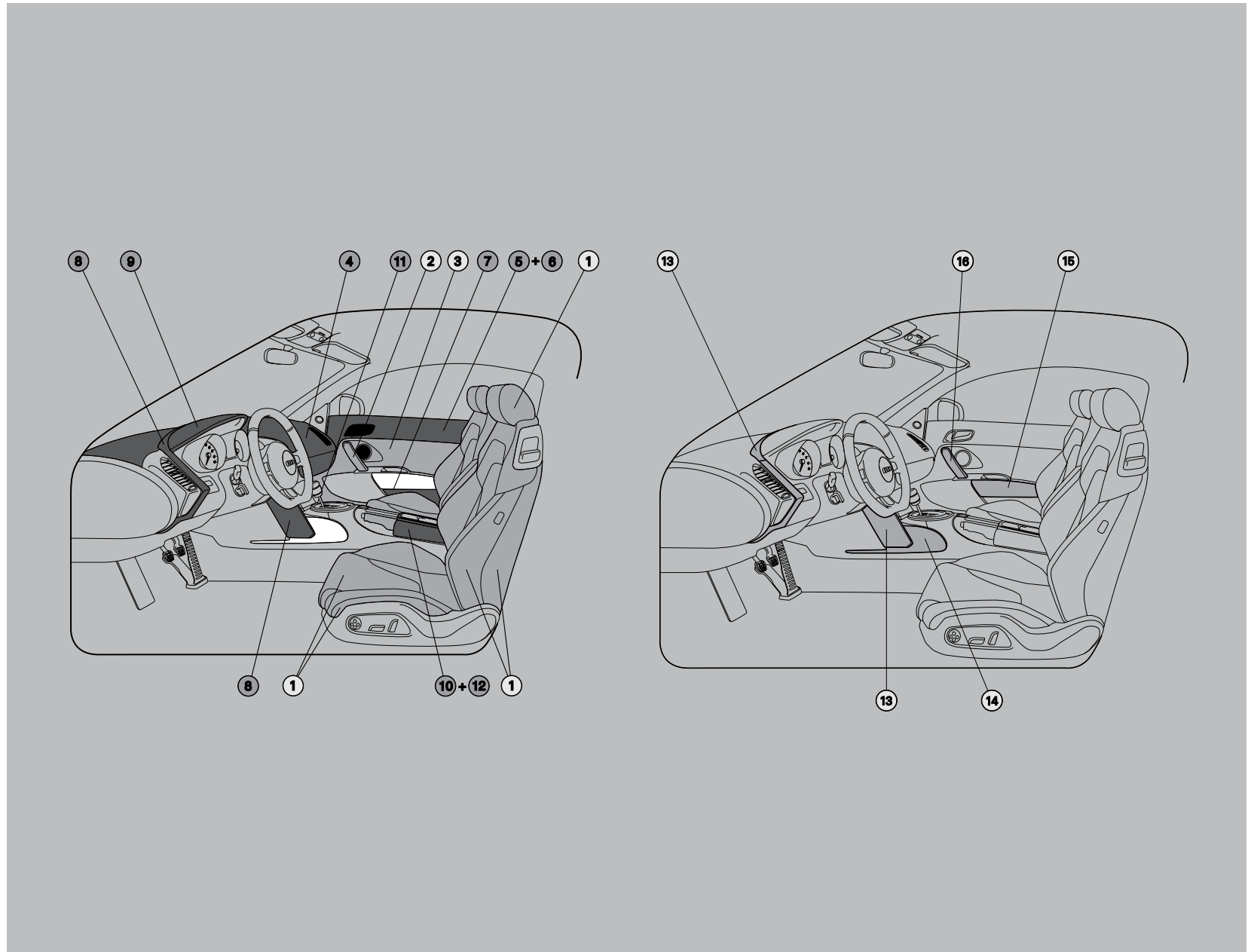
- 1 Seats
- 2 Door handle on passenger side matching seat colour
- 3 Door trim insert matching seat colour

## Extended Fine Nappa leather package (standard on R8 Spyder)

- 4 Black dashboard
- 5,6 Black top shoulder and side panel trim
- 7 Black storage compartment in door
- 8 Black monoposto
- 9 Black instrument cowl
- 10 Black cover for storage compartment
- 11 Black knee bolster
- 12 Black function pad

## Carbon sigma/Piano finish, black/Audi exclusive inlays in body colour

- 13 Monoposto (excluding Piano finish, black and Audi exclusive inlays in body colour)
- 14 Inlays in centre console
- 15 Inlays in door trim
- 16 Door handle on passenger side



# Wheels, brakes and suspension

Choose a set of specially-selected alloy wheels to subtly enhance the way your car looks and drives.

Order Code		V8 Coupé	V10 Coupé	V8 Spyder	V10 Spyder	Basic RRP	Total RRP inc VAT
<b>PQK</b>	<b>19" '5-arm double-spoke' design alloy wheels in titanium finish</b> (19" x 8.5J 235/35 front tyres and 19" x 11J 305/30 rear tyres)	●	–	●	–	£758.33	£910.00
		–	●	–	●	£504.17	£605.00
<b>PQ7</b>	<b>19" '5-arm double-spoke' design alloy wheels in high-gloss finish</b> (19" x 8.5J 235/35 front tyres and 19" x 11J 305/30 rear tyres)	●	–	●	–	£758.33	£910.00
		–	●	–	●	£504.17	£605.00
<b>PQ1</b>	<b>19" '10-spoke Y' design alloy wheels in high-gloss finish</b> (19" x 8.5J 235/35 front tyres and 19" x 11J 295/30 rear tyres)	–	●	–	●	£691.67	£830.00
<b>PQU</b>	<b>19" '5-arm rotor' design alloy wheels in titanium finish</b> (19" x 8.5J 235/35 front tyres and 19" x 11J 305/30 rear tyres)	–	●	–	●	£504.17	£605.00
<b>1BL</b>	<b>Audi magnetic ride.</b> Adaptive suspension system with two selectable modes (Normal or Sport). Sensors in the car monitor the road conditions and adjust the damping effect by varying a magnetic charge which passes through a fluid-based shock absorber, delivering improved road handling, outstanding chassis control and excellent driving comfort	●	S	●	S	£1,150.00	£1,380.00
<b>PC5</b>	<b>Ceramic brakes.</b> Lightweight, ventilated ceramic brake discs to all four wheels, 380mm discs at front, 356mm at rear, 6-piston monobloc anthracite coloured brake callipers with 'Audi ceramic' inscription to front callipers	●	●	●	●	£6,079.17	£7,295.00



19" '5-arm double-spoke' design alloy wheels – PQK



19" '5-arm double-spoke' design alloy wheels – PQ7



19" '10-spoke Y' design alloy wheels – PQ1



19" '5-arm rotor' design alloy wheels – PQU

Options are subject to availability and may extend delivery.

– = Not available  
● = Available  
S = Standard

RRP – Recommended Retail Price.

VAT is calculated at 20% but this may alter to reflect any change in the applicable VAT rate.



# Audio and communication

Stay in touch using our range of communication functions, and give each journey its own soundtrack with our advanced audio equipment.

Options are subject to availability and may extend delivery.

- = Not available  
 ● = Available  
 S = Standard

\*On V10 models AMI can be selected in lieu of CD changer.

\*\*Includes 5-digit postcode recognition.

RRP - Recommended Retail Price.

VAT is calculated at 20% but this may alter to reflect any change in the applicable VAT rate.

Order Code		V8 Coupé	V10 Coupé	V8 Spyder	V10 Spyder	Basic RRP	Total RRP inc VAT
<b>9VK</b>	<b>Bang &amp; Olufsen sound system.</b> Designed specifically for the Audi R8, providing surround sound reproduction with dynamic compensation for road noise, digital amplifier and 12 high-performance loudspeakers (total output 465 Watts)	●	S	●	S	£1,020.83	£1,225.00
<b>9ZX</b>	<b>Mobile telephone preparation – Bluetooth interface with integrated seat-belt microphones.</b> Provides handsfree connection via Bluetooth using mobile phone aerial. Includes voice control in combination with Satellite Navigation system – DVD-based (PNA). Please contact your Audi Centre for phone compatibility	●	●	S	S	£375.00	£450.00
<b>9ZF</b>	<b>Mobile telephone preparation – Low, Bluetooth interface with integrated seat-belt microphones.</b> Provides handsfree connection via Bluetooth using mobile phone aerial. Alternatively it can use a cradle with charging facility for optimal reception via external aerial. Includes voice control in combination with Satellite Navigation system – DVD-based (PNA). Cradle available at extra cost – please contact your Audi Centre for phone compatibility. Located in storage compartment on centre console	●	●	-	-	£541.67	£650.00
<b>PNA</b>	<b>Satellite Navigation system – DVD-based.**</b> Route planning and guidance using voice, pictogram and map. Includes AM/FM tuner with TP memo function. Single front-loading CD player with MP3 compatibility. Includes AUX-IN socket, MMI operating logic and 6.5-inch colour monitor with bird's-eye map display. Two integrated MMC/SD card slots for playing MP3 files, European coverage navigation DVD and dynamic route guidance via TMC. CD changer or AMI is recommended with this option. Audio or MP3-compatible CD player cannot be used at same time as navigation system	●	S	●	S	£1,533.33	£1,840.00
<b>UF7</b>	<b>Audi Music Interface (AMI).</b> Universal connection for use with stereo audio sources, USB and MP3 devices including Apple iPod generation 4 onwards (iPod, iPod classic, iPod mini, iPod nano, iPod photo, iPod video, iPod touch). Provides intuitive control through the audio system and multi-function steering wheel. It also replicates the iPod display on the audio screen and DIS, including track titles. The interface provides charging function (dependent on device). Only in combination with Satellite Navigation system – DVD-based. Not available in combination with CD changer	●	-	●	-	£212.50	£255.00
<b>7A0</b>		-	●	-	●	No charge	No charge
<b>7A2</b>	<b>CD changer.</b> For six CDs, integrated into rear shelf between seats. Not available in combination with Audi Music Interface*	●	S	●	S	£270.83	£325.00



Bang & Olufsen sound system



CD changer



Mobile telephone preparation – Low



Satellite Navigation system – DVD-based



# Interior equipment

Specify every detail of your car's interior with this range of options.

Options are subject to availability and may extend delivery.

- = Not available
- = Available
- S = Standard

\*HomeLink® is a registered trademark of Johnson Controls. For information on compatibility, visit [www.homelink.com](http://www.homelink.com).

RRP – Recommended Retail Price.

VAT is calculated at 20% but this may alter to reflect any change in the applicable VAT rate.

Order Code		V8 Coupé	V10 Coupé	V8 Spyder	V10 Spyder	Basic RRP	Total RRP inc VAT
6NN	Alcantara headlining. Available in Black, Pale grey or Luxor beige	•	•	-	-	£937.50	£1,125.00
7M7	Carbon sigma door sill trims with aluminium insert and R8 badge	•	•	•	•	£979.17	£1,175.00
YVY S3G	Carbon sigma door sill trims with illuminated aluminium inserts	•	•	•	•	£1,404.17	£1,685.00
7M9	Illuminated door sill trims with aluminium insert and R8 badge	•	•	•	•	£533.33	£640.00
NM5	Carbon sigma engine bay trim. Includes light package on V8 Coupé	•	-	-	-	£2,583.33	£3,100.00
8T2	Cruise control. For holding any speed above 25mph	-	•	-	-	£2,216.67	£2,660.00
8T2	Cruise control. For holding any speed above 25mph	•	•	•	•	£183.33	£220.00
VC1	Garage door opener (Homelink®). Programmable radio-operated remote control for compatible doors/gates. Control buttons integrated in the front roof module	•	•	•	•	£170.83	£205.00
6Q2	Leather gear knob	•	•	•	•	No charge	No charge



Carbon sigma engine bay trim



Garage door opener (Homelink®)

# Interior equipment

Order Code		V8 Coupé	V10 Coupé	V8 Spyder	V10 Spyder	Basic RRP	Total RRP inc VAT
6XK 4L6	<b>Light and rain sensor package.</b> Includes auto-dimming rear-view mirror and door mirrors, automatic headlight activation, automatic windscreen wipers. Also includes electrically folding door mirrors	●	S	●	S	£404.17	£485.00
PAM	<b>Light package.</b> Includes auto-dimming rear-view mirror, light and rain sensors and LED lights illuminating footwell (and engine compartment on coupé models)	●	S	●	S	£366.67	£440.00
GS3	<b>Stainless steel pedals</b> with black rubber inserts	●	S	●	S	£212.50	£255.00
QE1	<b>Storage package.</b> Comprising storage nets on front-seat backrests, storage compartment under the front seats and luggage net. Under-seat storage compartment not available with electric seats or bucket seats	●	●	●	●	£162.50	£195.00

Options are subject to availability and may extend delivery.

- = Not available
- = Available
- S = Standard

RRP – Recommended Retail Price.

VAT is calculated at 20% but this may alter to reflect any change in the applicable VAT rate.



# Luggage sets

## Audi exclusive

R8 luggage sets are available in finest-grade leather in the specified seat-colour and featuring the R8 logo. The carbon handles, Nardia lining and various contrasting seams make these case sets true collectors' items. Contrasting seams on the outside of the Nardia lining match the colour of the dashboard seams. If interior equipment codes JN and JW are specified, the contrasting seams are in Pale grey.

Order Code		V8 Coupé	V10 Coupé	V8 Spyder	V10 Spyder	Basic RRP	Total RRP inc VAT
<b>YQQ S3G</b>	<b>Two-piece R8 luggage set in Fine Nappa leather.</b> Tailored to fit behind the seats of the R8. Consists of two suitcases in black leather	●	●	—	—	£1,658.33	£1,990.00
<b>YQR S3G</b>	<b>Two-piece R8 luggage set.</b> As above in Audi exclusive leather with contrast stitching*	●	●	—	—	£2,083.33	£2,500.00
<b>YQT S3G</b>	<b>Five-piece R8 luggage set.</b> Tailored for the R8 luggage compartment. Includes one suitcase, one briefcase, one suit carrier and two toiletry bags	●	●	●	●	£3,191.67	£3,830.00
<b>YQU S3G</b>	<b>Five-piece R8 luggage set.</b> As above in Audi exclusive leather with contrast stitching*	●	●	●	●	£4,000.00	£4,800.00

Options are subject to availability and may extend delivery.

— = Not available

● = Available

S = Standard

RRP – Recommended Retail Price.

VAT is calculated at 20% but this may alter to reflect any change in the applicable VAT rate.



Five-piece R8 luggage set



R8 luggage set



R8 luggage set





# Seats

Choose from a variety of different seat options so you can maintain the right driving posture at all times.

Order Code		V8 Coupé	V10 Coupé	V8 Spyder	V10 Spyder	Basic RRP	Total RRP inc VAT
<b>4A3</b>	<b>Heated front seats.</b> Individually controlled variable temperature adjustment	●	S	S	S	£233.33	£280.00
<b>PV1</b>	<b>Electrically adjustable front seats.</b> Includes adjustment for height, forwards and backwards position, backrest angle and lumbar support	●	S	S	S	£708.33	£850.00

## Audi exclusive bucket seats

Order Code		V8 Coupé	V10 Coupé	V8 Spyder	V10 Spyder	Basic RRP	Total RRP inc VAT
<b>PS5</b>	<b>Audi exclusive front bucket seats in black Fine Nappa leather.</b> Includes electric lumbar-support adjustment, width-adjustment for the seat surface and backrest, manually adjusted longitudinal positioning of seat height and backrest angle*	●	●	●	●	£2,041.67	£2,450.00
<b>PYI PS5 S3G</b>	<b>Audi exclusive package 1 in Fine Nappa leather/Alcantara with bucket seats.</b> Includes all the contents of leather package 1 (PYC/S3G, shown on page 37) plus: leather-covered front bucket seats*	●	●	—	—	£3,704.17	£4,445.00
<b>PYA PS5 S3G</b>	<b>Audi exclusive leather package 1 in Fine Nappa leather with bucket seats.</b> Includes all the contents of leather package 1 (PYA/S3G, shown on page 37) plus: leather-covered front bucket seats*	●	●	—	—	£3,912.50	£4,695.00
<b>PYD PS5 S3G</b>	<b>Audi exclusive leather package 2 in Fine Nappa leather with bucket seats.</b> Includes all the contents of leather package 2 (PYD/S3G, shown on page 37) plus leather-covered front bucket seats. Seat side trims come in Black*	●	●	—	—	£6,079.17	£7,295.00

Options are subject to availability and may extend delivery.

- = Not available
- = Available
- S = Standard

\*Please note that bucket seats do not include seat side airbag and ISOFIX fittings.

RRP – Recommended Retail Price.

VAT is calculated at 20% but this may alter to reflect any change in the applicable VAT rate.

# Exterior equipment

Make sure your car looks exactly as you want it to by selecting some of our striking options.

Order Code		V8 Coupé	V10 Coupé	V8 Spyder	V10 Spyder	Basic RRP	Total RRP inc VAT
8N7	<b>High-beam assist.</b> Automatically adjusts headlights from high-beam to dipped-beam when another vehicle is approaching. Only in combination with light and rain sensor pack	●	●	●	●	£83.33	£100.00
8EX	<b>All-LED headlights.</b> The world's first headlight unit to use LEDs for all front lighting functions. Total of 54 LED light sources in each headlight provide lower energy consumption and enhanced contrast, giving an effect similar to daylight	●	S	●	S	£2,383.33	£2,860.00
6FQ	<b>Carbon sigma door mirror trims</b>	●	●	●	●	£1,000.00	£1,200.00
PQE	<b>Black styling package – Coupé.</b> Radiator grille-frame, radiator grille, number plate holder and exhaust tailpipes in highly-polished black. Rear window air outlets in matt black (V10 only)	●	●	–	–	£500.00	£600.00
PQO	<b>Black styling package – Spyder.</b> Exhaust tailpipes and rear air outlets in highly-polished black	–	–	●	●	£500.00	£600.00

Options are subject to availability and may extend delivery.

- = Not available
- = Available
- S = Standard

RRP – Recommended Retail Price.

VAT is calculated at 20% but this may alter to reflect any change in the applicable VAT rate.



## Safety and security

Intelligent technology designed to give you better all-round awareness and safety on the road.

Order Code		V8 Coupé	V10 Coupé	V8 Spyder	V10 Spyder	Basic RRP	Total RRP inc VAT
7X2	<b>Acoustic parking system (front and rear).</b> Aids parking by acoustically indicating distances to obstacles	●	●	●	●	£533.33	£640.00
7X8	<b>Audi parking system advanced.</b> Aids parking by acoustically and visually indicating distances to obstacles with guiding lines. Measured by sensors and reversing camera	●	●	●	●	£1,062.50	£1,275.00
7X4	<b>Audi parking system plus.</b> Aids parking by acoustically and visually indicating distances to obstacles	●	●	●	●	£866.67	£1,040.00
UG1	<b>Audi hill-hold assist.</b> Prevents roll-back on hills for up to 5 seconds by maintaining brake force. Recommended with R tronic models	●	S	●	S	£75.00	£90.00
—	<b>CobraTrak 5.</b> Thatcham Category 5 approved tracking device that provides the highest level of vehicle security. CobraTrak 5 uses GPS and GSM technology to provide seamless tracking and recovery across 36 European countries. Also includes Automatic Driver Recognition cards and remote engine immobilisation. Please note that this option is a Centre-fitted accessory and needs to be ordered and fitted by your Audi Centre (ZGB420054999A). Price shown includes one year's subscription to the CobraTrak service but excludes fitting	●	●	●	●	£723.40	£850.00
7K7	<b>Tyre pressure monitoring system.</b> Monitors tyres based on air pressures specified by the driver and programmed into the Driver's Information System	●	S	●	S	£229.17	£275.00

## Steering wheels

Order Code		V8 Coupé	V10 Coupé	V8 Spyder	V10 Spyder	Basic RRP	Total RRP inc VAT
2PF	<b>Contoured 3-spoke perforated leather Sports flat-bottomed multi-function steering wheel</b>	●	●	●	●	£295.83	£355.00
2PK	<b>Contoured 3-spoke perforated leather Sports flat-bottomed multi-function steering wheel with gearshift paddles (R tronic only)</b>	●	●	●	●	£295.83	£355.00

Options are subject to availability and may extend delivery.

– = Not available  
● = Available  
S = Standard

RRP – Recommended Retail Price.

VAT is calculated at 20% but this may alter to reflect any change in the applicable VAT rate.

# Audi Complete

Audi Complete is simply a way to look after the servicing and maintenance costs for your Audi in a single package. You pay a one-off or monthly fee and we'll cover all your servicing, maintenance and tyres for the next three years including your first MOT and a full 5-year warranty. It means you only have to pay for fuel, insurance and your Road Fund Licence. So you can be reassured that your car will be maintained by trained Audi Technicians, using genuine Audi parts.

\*Retail customers only. Pricing based on 3 years/30,000 miles (whichever occurs sooner). All pricing is a 'starting from' price for the Audi R8 model range and is therefore subject to change and mileage/model dependent.

## Warranty

Options are subject to availability and may extend delivery.

- = Not available  
• = Available  
S = Standard

\*\*Only available prior to registration of your R8. Please speak to your Audi Centre for full details.

RRP – Recommended Retail Price.

VAT is calculated at 20% but this may alter to reflect any change in the applicable VAT rate.

Order Code		R8 V8	R8 V10	Basic RRP	Total RRP inc VAT
AC1	<b>Audi Complete – Service, Maintenance and 5-year warranty.</b> Comprehensive care for your Audi covering all your servicing and maintenance for 3 years, as well as your first MOT and a full 5-year/90,000 mile warranty. Visit your local Audi Centre for further information or <a href="http://audi.co.uk/audicomplete">audi.co.uk/audicomplete</a> for full details including terms and conditions	●	–	£88.33	£106.00*
		–	●	£97.50	£117.00*
AC2	<b>Audi Complete – Service, Maintenance, Tyres and 5-year warranty.</b> Comprehensive care for your Audi covering all your servicing, maintenance and tyres for 3 years, as well as your first MOT and a full 5-year/90,000 mile warranty. Visit your local Audi Centre for further information or <a href="http://audi.co.uk/audicomplete">audi.co.uk/audicomplete</a> for full details including terms and conditions	●	–	£222.50	£267.00*
		–	●	£231.67	£278.00*

Order Code		R8 V8	R8 V10	Basic RRP	Total RRP inc VAT
-	<b>Audi Warranty</b> , covering you for unlimited mileage in the first two years of ownership, and up to 60,000 miles in the third year. Transferable between owners**	S	S	No charge	No charge
EA6	<b>Audi Warranty</b> , covering you for up to 4 years or 75,000 miles, whichever comes soonest. Cover includes a two-year unlimited mileage warranty, and up to 75,000 miles in the third and fourth years. Transferable between owners**	●	●	£862.50	£1,035.00
EA9	<b>Audi Warranty</b> , covering you for up to 5 years or 90,000 miles, whichever comes soonest. Cover includes a two-year unlimited mileage warranty, and up to 90,000 miles in the third, fourth and fifth years. Transferable between owners**	●	●	£2,129.17	£2,555.00

# Factory Collection from Neckarsulm

## An exclusive event

When you choose an Audi R8, you are becoming the owner of a very special car. To reflect this, we offer you the opportunity to access the equally stunning birthplace of this model. At Neckarsulm you can witness for yourself the pride and dedication that goes into every single R8 we produce.

## Planning your day in Neckarsulm

When you choose Factory Collection, we will provide you with your own Factory Collection book. It contains all the information you'll need, including ideas and inspiration for planning your visit, your journey to the factory and your route home in your brand new Audi R8.

Order Code	V8 Coupé	V10 Coupé	V8 Spyder	V10 Spyder	Basic RRP	Total RRP inc VAT
<b>A22</b>	•	•	•	•	£416.67	£500.00

**Factory Collection from Neckarsulm includes:**

- ▶ Chauffeur transfer from airport or hotel to factory
- ▶ Factory and museum tour (Monday to Friday)
- ▶ Lunch and refreshments
- ▶ R8 Handover
- ▶ Full pre-delivery inspection
- ▶ Temporary fully comprehensive insurance and international registration
- ▶ European Breakdown Assistance
- ▶ R8 Factory Collection book (detailing suggested routes, recommendations on hotels, flights, airports and driving regulations)
- ▶ Post-collection check and registration in the UK, at your local Audi Centre (within 14 days)

Contact your Audi Centre for full details

Options are subject to availability and may extend delivery.

- = Not available
- = Available
- S = Standard

RRP – Recommended Retail Price.

VAT is calculated at 20% but this may alter to reflect any change in the applicable VAT rate.



# R8 Driving Experience

The Audi R8 is a car that combines breathtaking performance, beautiful design and renowned Audi technology. As part of your purchase, you will be invited to participate in an exclusive Audi R8 Driving Experience so that you can explore its full potential for yourself.

## The circuit

Silverstone is the home of the British Grand Prix and the ideal setting for the Audi R8 Driving Experience. The course takes place at the infield driver training area and out on the Stowe Circuit, which features a great mixture of long straights, fast corners and technically demanding chicanes. So it's the perfect place to explore the performance and handling of the R8, as you do things that simply wouldn't be possible on the open road.

## The Experience

This is your opportunity to hone your driving skills at Silverstone, where you'll have a chance to sample the unbridled power of the R8 V10. This performance car features a 5.2 FSI engine, quattro all-wheel-drive and a lightweight Aluminium Space Frame, enabling it to sprint from 0 to 62mph in a mere 3.9 seconds. The result is an unforgettable driving experience.

Our expert instructors will coach you in car control and controlled driving at speed, showing you how to evaluate risks and recognise dangers. You'll get to try a whole range of techniques, including effective cornering, controlled understeer, high-speed lane changes, braking at speed and avoidance manoeuvres – it's a chance to push your driving abilities to the limit. Finally, you'll go for 'hot laps' with an instructor, who'll show you exactly what the R8 is capable of in the hands of a professional.

Visit [audi.co.uk/R8drivingexperience](http://audi.co.uk/R8drivingexperience) for terms and conditions



# Merchandise

From the enthusiasts' motorsport collection to the sophisticated Audi collection, there's a wide variety of adults' and children's clothing, lifestyle accessories and collectables, all of which bear the Audi name.

Please speak to a member of our team at your local Audi Centre to see the full Audi collection and to place an order. A selection of Audi merchandise is also available to buy from [audi.co.uk/merchandise](http://audi.co.uk/merchandise).



Audi kids



Bags and leather goods



Clothing



Motorsports



Sport and travel



Model cars



# R8

## technical data

Engine	Coupé				Spyder			
	4.2 FSI quattro	4.2 FSI quattro	5.2 FSI quattro	5.2 FSI quattro	4.2 FSI quattro	4.2 FSI quattro	5.2 FSI quattro	5.2 FSI quattro
Transmission	6-speed manual	R tronic sequential manual	6-speed manual	R tronic sequential manual	6-speed manual	R tronic sequential manual	6-speed manual	R tronic sequential manual
Cylinder	V8	V8	V10	V10	V8	V8	V10	V10
Displacement, cubic cm (valves per cylinder)	4163 (4)	4163 (4)	5204 (4)	5204 (4)	4163 (4)	4163 (4)	5204 (4)	5204 (4)
Max. power <sup>1</sup> , PS	430/7900	430/7900	525/8000	525/8000	430/7900	430/7900	525/8000	525/8000
Max. torque, Nm at rpm	430 (4500 - 6000)	430 (4500 - 6000)	530 (6500)	530 (6500)	430 (4500 - 6000)	430 (4500 - 6000)	530 (6500)	530 (6500)
0-62mph acceleration, seconds	4.6	4.6	3.9	3.9	4.8	4.8	4.1	4.1
CO <sub>2</sub> emissions <sup>2</sup> , g/km	332	310	346	326	337	315	349	332
Top speed <sup>3</sup> , mph	187	187	197	197	186	186	194	194
Benefit in kind (BIK)%	35%	35%	35%	35%	35%	35%	35%	35%
Fuel consumption <sup>2</sup> , mpg (l/100km) Urban	13.3 (21.3)	14.1 (20.1)	12.7 (22.2)	13.4 (21.1)	13.3 (21.3)	14.1 (20.1)	12.7 (22.2)	13.1 (21.5)
Fuel consumption <sup>2</sup> , mpg (l/100km) Extra Urban	28.2 (10.0)	30.1 (9.4)	26.6 (10.6)	28.5 (9.9)	27.4 (10.3)	29.4 (9.6)	26.4 (10.7)	27.7 (10.2)
Fuel consumption <sup>2</sup> , mpg (l/100km) Combined	19.9 (14.2)	21.2 (13.3)	19.0 (14.9)	20.3 (13.9)	19.6 (14.4)	20.9 (13.5)	19.0 (14.9)	19.9 (14.2)
ABI insurance group, 1-50 <sup>+</sup>	49 E	49 E	50 E	50 E	50 E	50 E	50 E	50 E
Unladen weight <sup>4</sup> , kg	1560	1565	1620	1625	1660	1665	1720	1725
Gross weight limit, kg	1860	1865	1920	1925	1960	1965	2020	2025
Luggage compartment capacity, rear seats upright, litres	100	100	100	100	100	100	100	100
Fuel tank capacity approx, litres	90	90	90	90	80	80	80	80

<sup>1</sup>Highest insurance group rating shown. Group may be lower dependent on trim level. Please visit [www.thatcham.org/abigrouprating](http://www.thatcham.org/abigrouprating) for details.

<sup>2</sup>The given value was obtained in accordance with the specified measurement procedure (the respective current version of the Directive 80/1269/EEC).

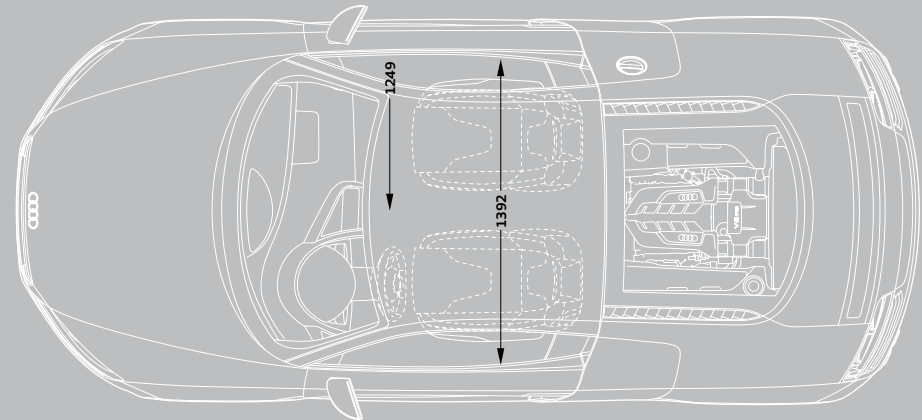
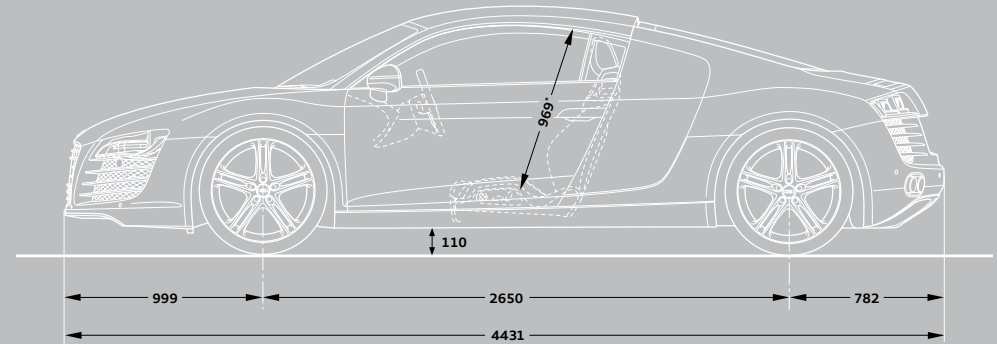
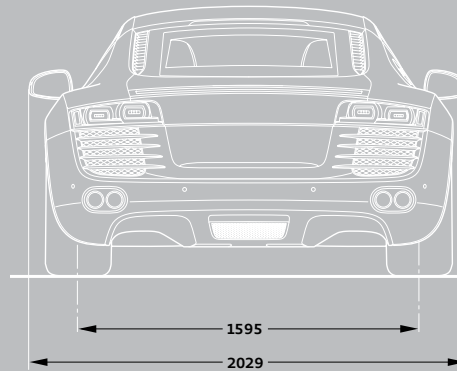
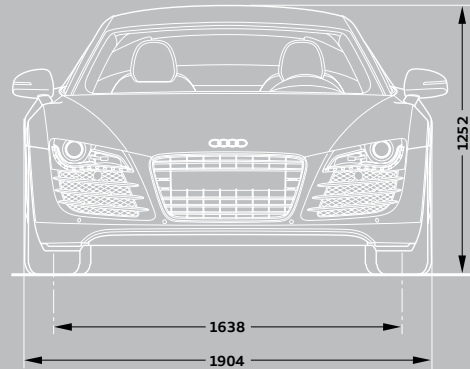
<sup>3</sup>Fuel consumption and CO<sub>2</sub> emissions figures are obtained under standardised test conditions (Directive 93/116/EEC) using a representative model. This allows direct comparison between different models from different manufacturers, but may not represent the actual fuel consumption achieved in 'real world' driving conditions. More information is available at [www.vca.gov.uk](http://www.vca.gov.uk).

<sup>4</sup>Top speed is achieved in sixth gear.

<sup>5</sup>Vehicle's unladen weight without driver (calculated in accordance with the current version of Directive 80/1268/EEC). The fitting of additional equipment may increase the vehicle's unladen weight and drag coefficient, whereupon the potential carrying capacity and top speed will be correspondingly reduced.

# R8 V8 Coupé dimensions

The technical drawings opposite show the exact dimensions of the R8 V8 Coupé, so you can check everything from the ground clearance to the length of the car.



\*Maximum headroom.

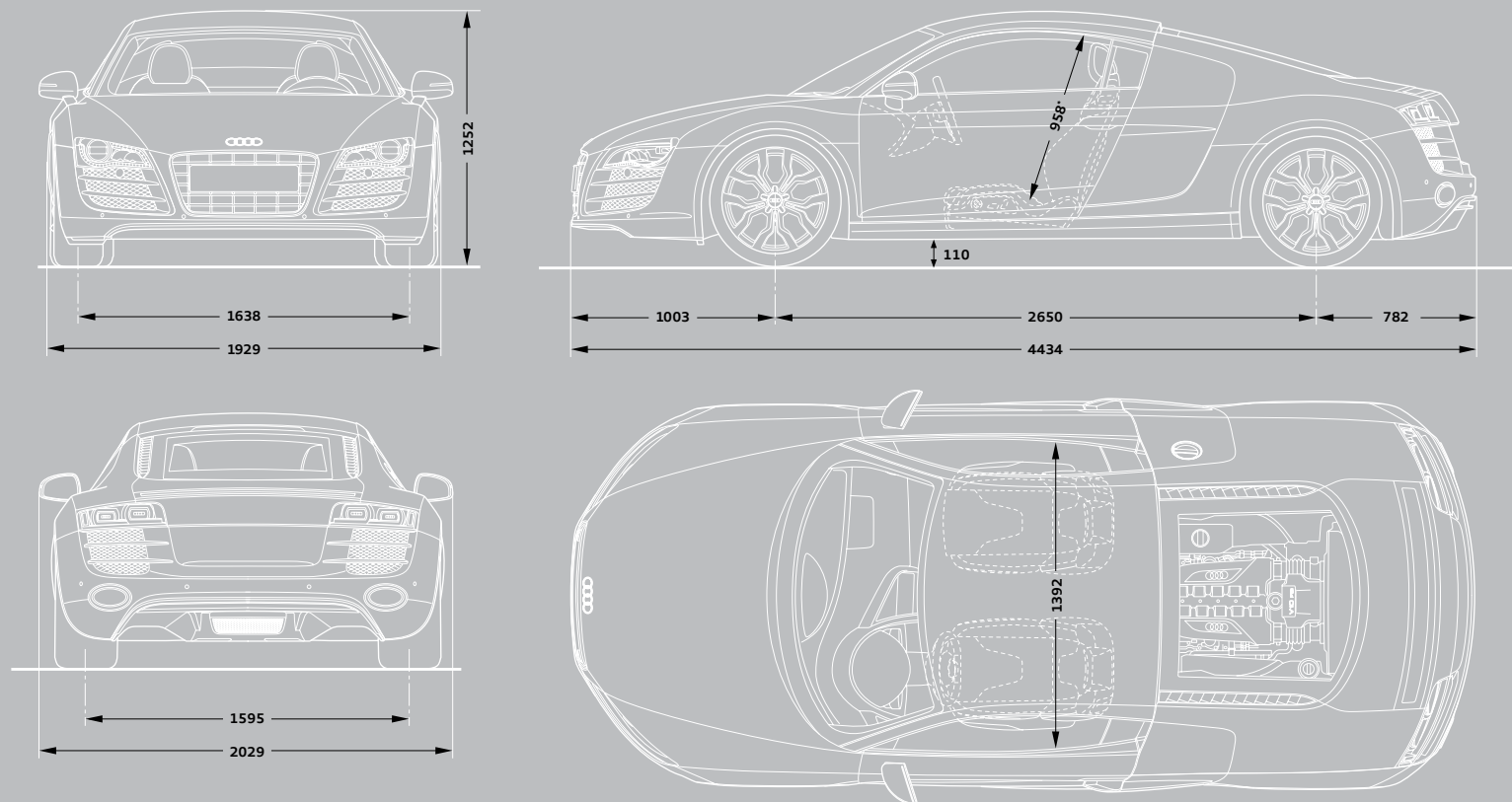
Dimensions were measured with vehicle at unladen weight, ground clearance measured with vehicle carrying its maximum load.

Turning circle approx 11.4m.

Dimensions in millimetres.

# R8 V10 Coupé dimensions

The technical drawings opposite show the exact dimensions of the R8 V10 Coupé, so you can check everything from the ground clearance to the length of the car.



\*Maximum headroom.

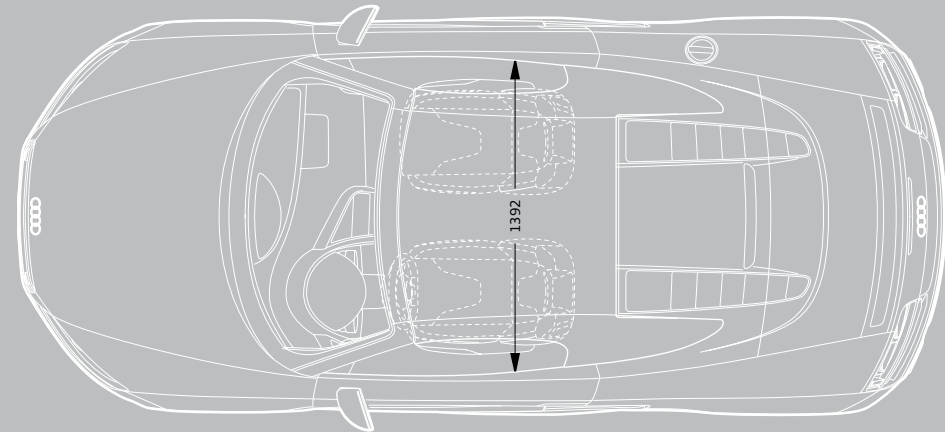
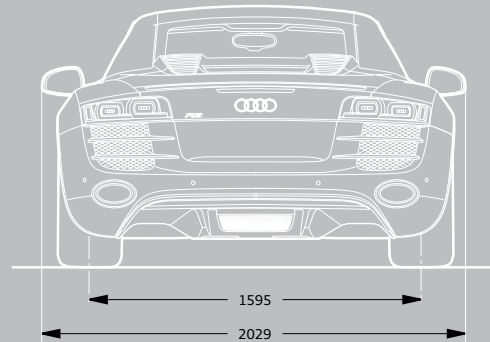
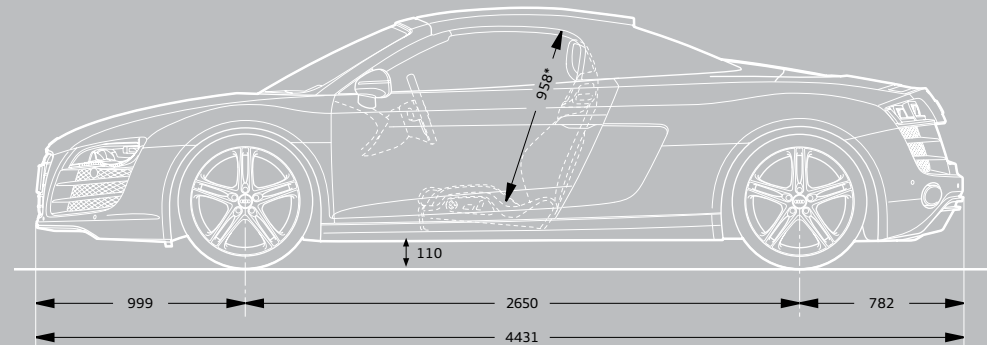
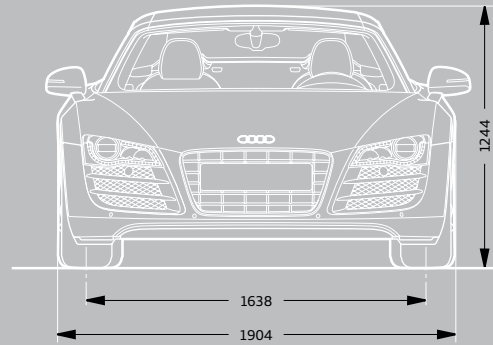
Dimensions were measured with vehicle at unladen weight, ground clearance measured with vehicle carrying its maximum load.

Turning circle approx 11.4m.

Dimensions in millimetres.

# R8 V8 Spyder dimensions

The technical drawings opposite show the exact dimensions of the R8 V8 Spyder, so you can check everything from the ground clearance to the length of the car.



\*Maximum headroom.

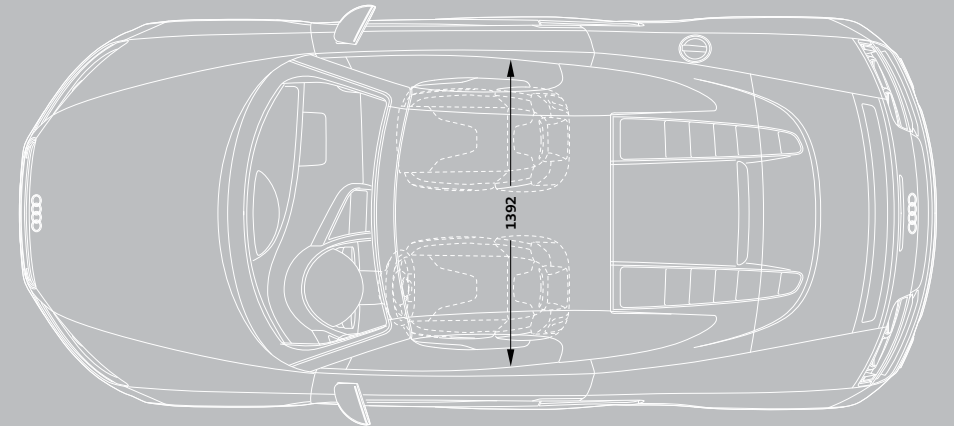
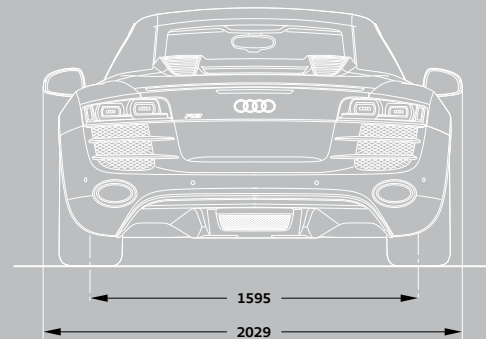
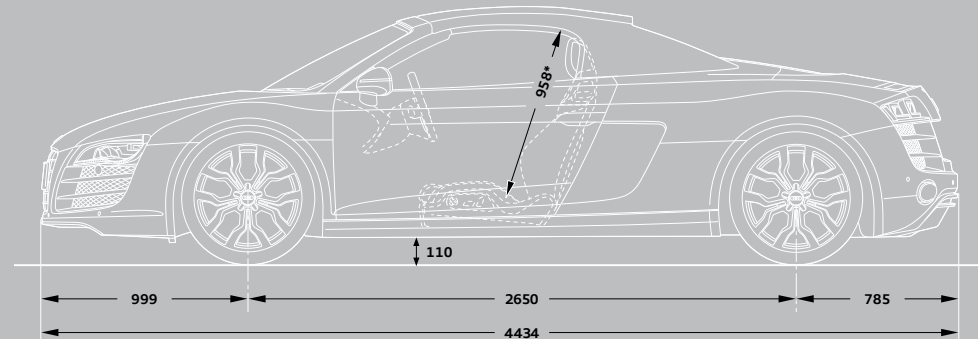
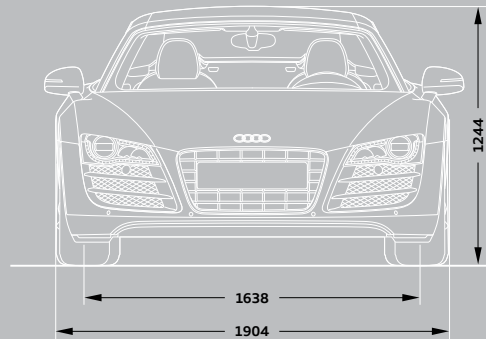
Dimensions were measured with vehicle at unladen weight, ground clearance measured with vehicle carrying its maximum load.

Turning circle approx 11.4m.

Dimensions in millimetres.

# R8 V10 Spyder dimensions

The technical drawings opposite show the exact dimensions of the R8 V10 Spyder, so you can check everything from the ground clearance to the length of the car.



\*Maximum headroom.

Dimensions were measured with vehicle at unladen weight, ground clearance measured with vehicle carrying its maximum load.

Turning circle approx 11.4m.

Dimensions in millimetres.

# Additional information

## CO<sub>2</sub> data and information

### CO<sub>2</sub> emissions-based Vehicle Excise Duty

Vehicle Excise Duty (Road Fund Licence) is based upon the amount of Carbon Dioxide (CO<sub>2</sub>) a vehicle emits, measured in grams per kilometre (g/km). The DVLA has created thirteen categories:

Petrol and Diesel engines	First year	Annual rate (second year onwards)
A – up to 100g/km	£0.00	£0.00
B – 101 to 110g/km	£0.00	£20.00
C – 111 to 120g/km	£0.00	£30.00
D – 121 to 130g/km	£0.00	£95.00
E – 131 to 140g/km	£115.00	£115.00
F – 141 to 150g/km	£130.00	£130.00
G – 151 to 165g/km	£165.00	£165.00
H – 166 to 175g/km	£265.00	£190.00
I – 176 to 185g/km	£315.00	£210.00
J – 186 to 200g/km	£445.00	£245.00
K – 201 to 225g/km	£580.00	£260.00
L – 226 to 255g/km	£790.00	£445.00
M – over 255g/km	£1,000.00	£460.00

Vehicle Excise Duty (VED) rates correct at time of going to print, but these may alter to reflect any change in the applicable VED rate

### Servicing tailored to your needs

Regular servicing is key to safeguarding your Audi's performance and a full Audi service history could help you preserve the future re-sale value. To make servicing easy, the Audi Service Schedules have been designed to work with your individual driving style and vehicle.

There are two schedules available and your Audi Centre will advise which schedule is most suited to your needs. The conventional fixed Audi Inspection Service Schedule has fixed intervals for the Oil-change and Inspection Service that are based on time

and distance, whichever comes first. With the Audi LongLife Service Schedule, sensors take account of driving style and conditions in which the vehicle is used to indicate when the Oil-change Service is required. Oil-change Service intervals are therefore variable and are conveniently indicated via the on-board service interval display.

### Audi Complete

When selecting the option of Audi Complete your vehicle should be placed on the following service schedules dependent on your mileage per annum:

- ▶ Under 10,000 miles per annum – Fixed Inspection Service Schedule
- ▶ Over 10,000 miles per annum – LongLife Service Schedule

Fixed Inspection Service Schedule		Variable LongLife Service Schedule	
	Vehicle usage:		Vehicle usage:
Mileage	Less than 10,000 miles per annum	Mileage	More than 10,000 miles per annum
Type of journey	Mainly city/town centre driving. Short journeys	Type of journey	Motorway and main road driving. Mainly longer distance journeys. Constant speeds
Conditions	Frequent cold starts. High engine loading – e.g. frequent hill climbs, vehicle fully loaded, towing	Conditions	Normal engine loading – e.g. with little or no towing, with little or no hill climbs. Normal vehicle loading
Driving style	Uneconomical – e.g. heavy acceleration, heavy braking, constant changes in speed, constant use of high revs, 'sporty' driving	Driving style	Moderate acceleration, moderate braking, engine revs mainly below 3,000
	Service intervals:		Service intervals:
Oil-change Service	Fixed to every 9,000* miles/1 year	Oil-change Service	Variable to a maximum of every 19,000* miles/2 years
Inspection Service	Fixed to every 19,000* miles/2 years	Inspection Service	Fixed to every 19,000* miles/2 years

\*As indicated by the service interval display. Mileages are approximate as the Service Indicator system uses kilometres as its distance measurement.

# Additional information

## Welcome to Audi

By placing an order for your Audi, you're choosing to get behind the wheel of one of the most sophisticated cars on the road. And because we believe the service we offer should be just as advanced, we wanted to let you know exactly what you can expect from us, now and in the future.

We've agreed a set of standards with all our Centres, which governs the way we do business with you. It outlines the kind of service we promise to deliver for every customer, right down to filling each new Audi we sell with half a tank of fuel.

So whether you're interested in the date your car will arrive in the UK or the way we'll dispose of non-biodegradable materials after we service your Audi, you can have total confidence in us.

## Audi Promise

### Audi Centres

We guarantee that all of our Centres will be open as follows;

Sales: Monday to Friday 9am–6pm  
Saturday 9am–5pm

Service: Monday to Friday 8am–6pm  
Saturday 8.30am–1pm

Sunday opening is at local discretion.

### New car delivery

Once we've confirmed a delivery date for your car, we'll keep you informed of progress. Subject to reasonable notice, we'll then deliver it to a place of your choice, whether that's your home or place of work. In the unlikely event of a delay, we'll provide a courtesy car to minimise inconvenience and keep you mobile.

### The experts in Vorsprung durch Technik

Would you entrust your Audi to anyone who hasn't been regularly trained to Audi standards? Our network of Audi Approved Master Technicians have undergone an impressive 100,000 hours of training over a 10-year programme to ensure they have the latest technical expertise for maintaining and servicing your Audi. All of our Service Advisors undergo a specialist induction and training to ensure they are Audi professionals and able to talk to you about any issues you may have with your Audi vehicle. What's more, we have so much expertise and experience in looking after Audi vehicles that we are able to make a note of your mileage and the state of your vehicle as and when we see it and predict when certain key events may occur. As part of our commitment to you, we will notify you in plenty of time so you can make an appointment with us.

### Your convenience comes first

At Audi you can choose from a range of convenient services that suit your needs. Why not book a 'service while you wait' appointment\* and enjoy our complimentary refreshments while your car is with us? Or, if you need to be mobile, take advantage of one of our courtesy cars which we can even collect and deliver to you.\* We guarantee we can service your Audi within 5 days without a courtesy car, or within 10 days if you need transport. We will also ensure your car is returned to you with a full valet.

### Audi Genuine Parts

Would you put a part into your Audi that wasn't the same quality as the factory-fitted original? You can rest assured that only Audi Genuine Parts will be used on your vehicle. What's more, Audi parts and labour come with a 2-year guarantee.\*\* We stock a wide variety of parts, so we are well covered. However, if we don't have a part in stock at our Centre we have the back-up of parts at other Audi Centres, at our national warehouse and our factory and can usually source the relevant part very quickly.

### We don't like surprises either

We believe strongly in transparency and there will be no hidden costs. For added peace of mind, we will give you a quotation over the phone for the work you have requested and email you the price confirmation. We'll consult you if any additional work on your car is needed when it is with us. We won't carry out any extra work without asking your permission first.

### The Audi Stamp

Regular servicing is key to safeguarding your Audi's performance and a full Audi service history could help you preserve the future re-sale value of your car. Only the Audi Stamp will prove your approved Audi service history.

### Getting better every time

We continually gather feedback from our Audi Trained Technicians, as well as our customers, to ensure our vehicles are running as they should. Whenever we see an Audi for a service, we connect it directly to our headquarters in Ingolstadt which enables us to check your car's software and make sure it's as up-to-date as possible. If the factory has released a software upgrade for your model, it can be applied immediately – improving anything from your car's efficiency to the precision of its parking system.

### Environmental commitment

We promise to dispose of all non-biodegradable materials from your vehicle in a responsible manner.

\*Subject to availability.

\*\*Excludes wear and tear.

# Pricing information

## Pricing

Prices and specifications given are correct at the time of printing. Always check details with your Audi Centre, as Audi policies are continually developing. We reserve the right to change prices or specifications at any time.

All prices are subject to VAT, currently charged at 20% but this may alter to reflect any change in the applicable VAT rate.

Delivery charges and number plates are not included in the vehicle price.

Delivery charge	£471.66
Number plate	£20.00
VAT	£98.34
Total	£590.00

## Audi Roadside Assistance

Your new car comes complete with 3 years' complimentary roadside assistance and recovery across the UK provided by RAC Motoring Services. Also included is roadside assistance throughout Europe, managed by RAC Motoring Services.

For further information and terms and conditions please visit [audi.co.uk](http://audi.co.uk)

## Audi Customer Care

Every new Audi benefits from the comprehensive Audi Customer Care Package, which comprises:

- ▶ A 3-year Audi warranty, which covers you for unlimited mileage in the first 2 years of ownership, with a full mechanical and electrical warranty which covers you for up to 60,000 miles in the 3rd year

- ▶ A 3-year paint warranty
- ▶ A 12-year anti-corrosion warranty
- ▶ 3 years' UK roadside assistance and recovery

You also have the option when ordering your new car of choosing a four-year or five-year Audi warranty. Speak to a member of the sales team for more information.

## Audi Tax-Free Sales

If you are entitled to purchase a vehicle free of VAT, normally through Military or Diplomatic privilege, please contact your local Audi Centre for full details.

Should you have any difficulty obtaining the information you require, please call Freephone 0800 585878.

## Audi Finance

Audi Finance specialise in providing funding solutions for Audi drivers. Whether your Audi is for private or business use, there are a range of funding options to choose from

Below is the full range of finance products.

- ▶ Solutions – a Personal Contract Plan
- ▶ Hire purchase
- ▶ Lease purchase
- ▶ Finance lease
- ▶ Contract hire

With all products, you can choose a fixed-cost maintenance plan designed to help you budget accurately.

No matter what Audi model you choose, your local Audi Centre can provide you with a personalised quote which could fit your budget and motoring needs.

Audi Finance is a trading name of Volkswagen Financial Services (UK) Limited. An offer of finance depends on certain conditions. Available to people over 18 in the UK only.

## Audi Insurance

We want you to start enjoying your new car from day one and thanks to Audi Insurance complimentary seven day cover, you can. Call free on 0800 316 7893 (lines are open Monday to Friday 8am - 9pm, and Saturday 9am - 5pm), provide a few details and a cover note will be sent to your Audi Centre. They will then tax your car and you can drive it away.

Audi Insurance is a trading name of Volkswagen Insurance Service (Great Britain) Limited, an appointed representative of Volkswagen Financial Services (UK) Limited, Brunswick Court, Yeomans Drive, Blakelands, Milton Keynes MK14 5LR. Registered in England number 2835230. Audi Insurance is sold, underwritten and administered by Allianz Insurance plc registered in England number 84638. Registered office 57 Ladymead, Guildford, Surrey GU1 1DB. Volkswagen Financial Services (UK) Limited and Allianz Insurance plc are authorised and regulated by the Financial Services Authority. Volkswagen Financial Services (UK) Limited and Allianz Insurance plc are not part of the same corporate group.





**Audi UK**

Customer Services  
Selectapost 29  
Sheffield  
S97 3FG  
0800 699888  
audi.co.uk

Specifications and prices subject  
to change without notice.

© Audi UK

Printed in the UK  
Edition 5.0 10/11  
2012 model year

Images are for illustrative purposes only.